

# 10A-RS232 Controller/driver

This controller has an RS232 ( $\pm 10$  volt) serial interface built-in, therefore no external adaptor is required to connect to PCs, notebook, PLC, and other computers.

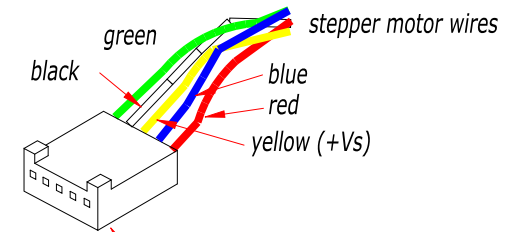
Its very small size allows easy mounting, yet the 10A-RS232 can drive 57mm (NEMA 23) or smaller stepper motors.

You can serially communicate using the Tx232 and Rx232 pins, which are RS232 ( $\pm 10$ v) signals. Connect these directly to an external computer's RS232 lines as shown. The 10A-RS232 includes a 12" shielded jacketed cable with a female DB9 RS232 connector and metalized plastic shell.

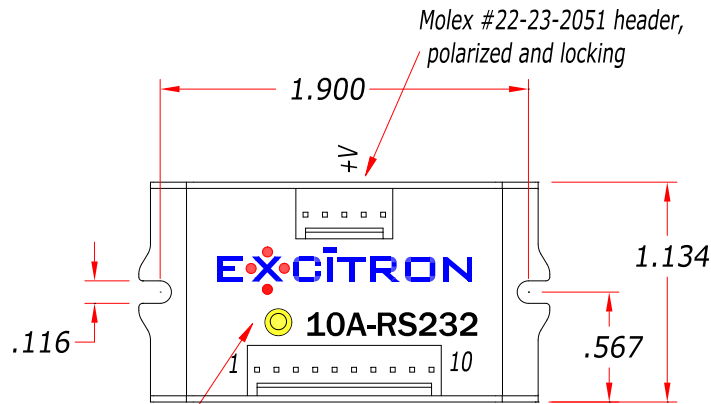
Note that the input signals IN3, IN4, IN5, and Reset are TTL (0 to +5v). Maximum allowable voltage is +5.5, minimum is -0.5. See Controller Manual for how the inputs can control your motor motion. All inputs are protected to  $\pm 15$ kV.

The power supply filter is inside. The controller or the motor may be ordered separately. Suggest our 24 volt 80 watt encapsulated power supply with this controller.

This controller is rated for 10 amp/winding maximum, with 4 amps continuously. It can drive any size unipolar motor, as long as amperage and temperature are not exceeded. Normal size stepper motor is NEMA 23 or smaller. Use "T" command values = 001 to 008 for torque, which controls amperage to the motor. Trq values are for command "T" with a +24 vdc power supply to produce rated torque; for +12 vdc double these values. Use lower values if possible to reduce heat.



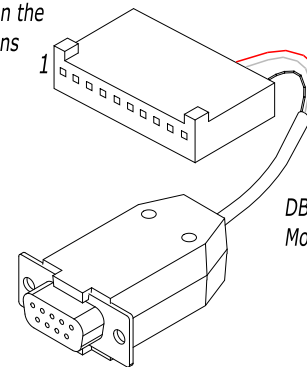
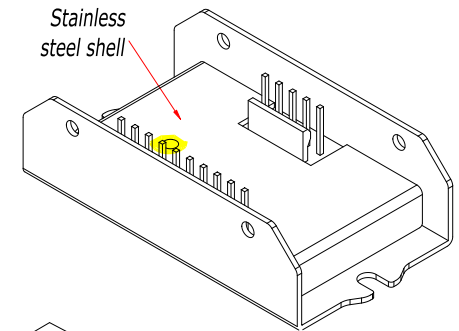
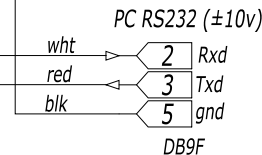
Use Molex #22-01-3057 housing for connecting to stepper motors. Center pin is +V (common), and other 4 pins are for the 4 motor windings.



LED indicates power ON, blinks during activity

Molex #22-23-2081 header, polarized and locking

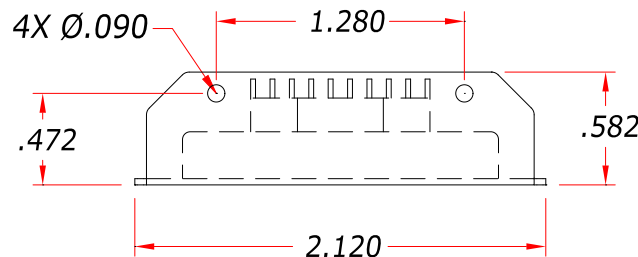
Both gnds pins are tied together on the controller board, same for 2 +V pins



DB9 RS232 ( $\pm 10$ v) cable and Molex 10-pin connector included

Power supply voltage:	
absolute maximum	30
typical	12 to 24
absolute minimum	10

Optional range is 36 to 48 volts, contact Excitron.



**EXCITRON**  
 5311 Western Ave #Q Boulder, CO 80301  
 info@excitron.com 303-859-9476

## 10A-RS232 Controller