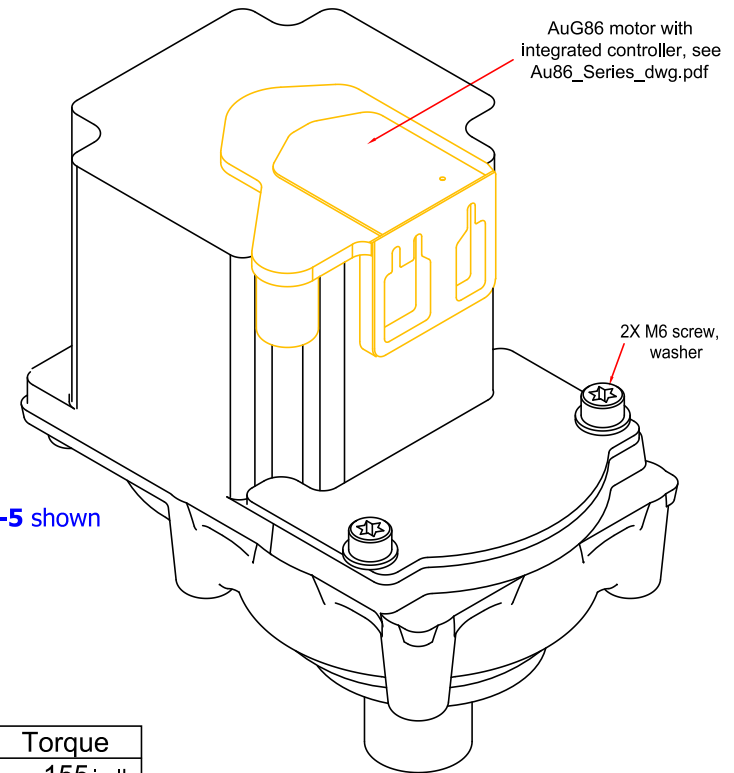
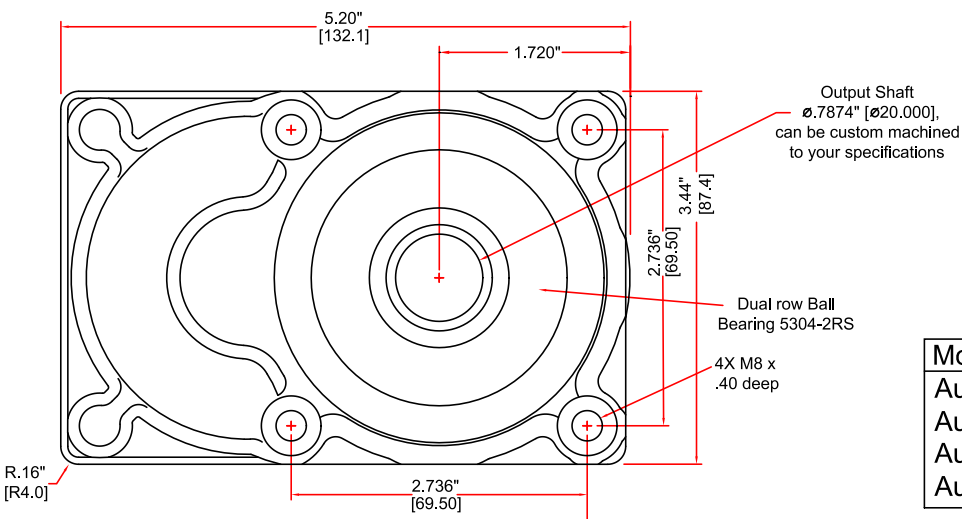
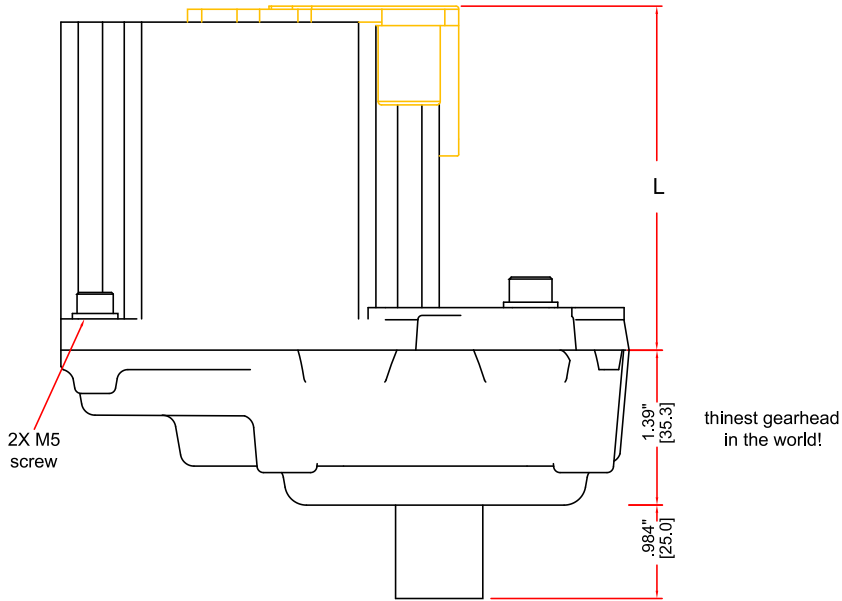


86mm NEMA 34 Stepper Motors with integrated controller and 5:1 Gearhead

- Complete ready-to-run Au86 series motor with strong 5:1 Bronze Casting gearhead. Use for automatic assembly, large mills, heavy vertical lifts, or as rotary indexing table.
- Compact size to fit tight spaces, shortest gear box length available.
- Output torque is increased 5X vs. motor torque
- Output resolution is increased 5X for very high accuracy--2,000 half-steps/revolution.
- Single stage spur gears give efficiency of 96-97%.
- Advanced technology of machining precision motor pinion gear directly from the stainless steel motor shaft as one integral part--eliminates keyways, screws, clamps, adhesives, etc.
- Gear Backlash is near zero, and is slightly adjustable. Gears are quiet running and have long life, and are more economical than planetary gears.
- Light weight--only 2.5 lbs for the gearhead allows faster moving mechanisms.
- Exact same gearhead for any of the AuG86 series motors, only the motor length is different.
- Various methods for mounting to your plate and mechanism.
- Splash resistant, gearhead can be easily sealed.
- Save time and money by specifying your custom output shafts, for a nominal charge. We can even add gears, pulleys, leadscrews, shaft couplers.

smallest controller/driver available anywhere, with 100 amp peak



AuG86-80-5 shown

Motor/gear	L ±.03"	Wt.	Torque
AuG86-65-5	2.58"	6.3lb	155 in-lb
AuG86-80-5	3.13	7.6	210
AuG86-118-5	4.64	10.9	450
AuG86-156-5	6.14	14.4	600

EXCITRON
info@excitron.com www.excitron.com