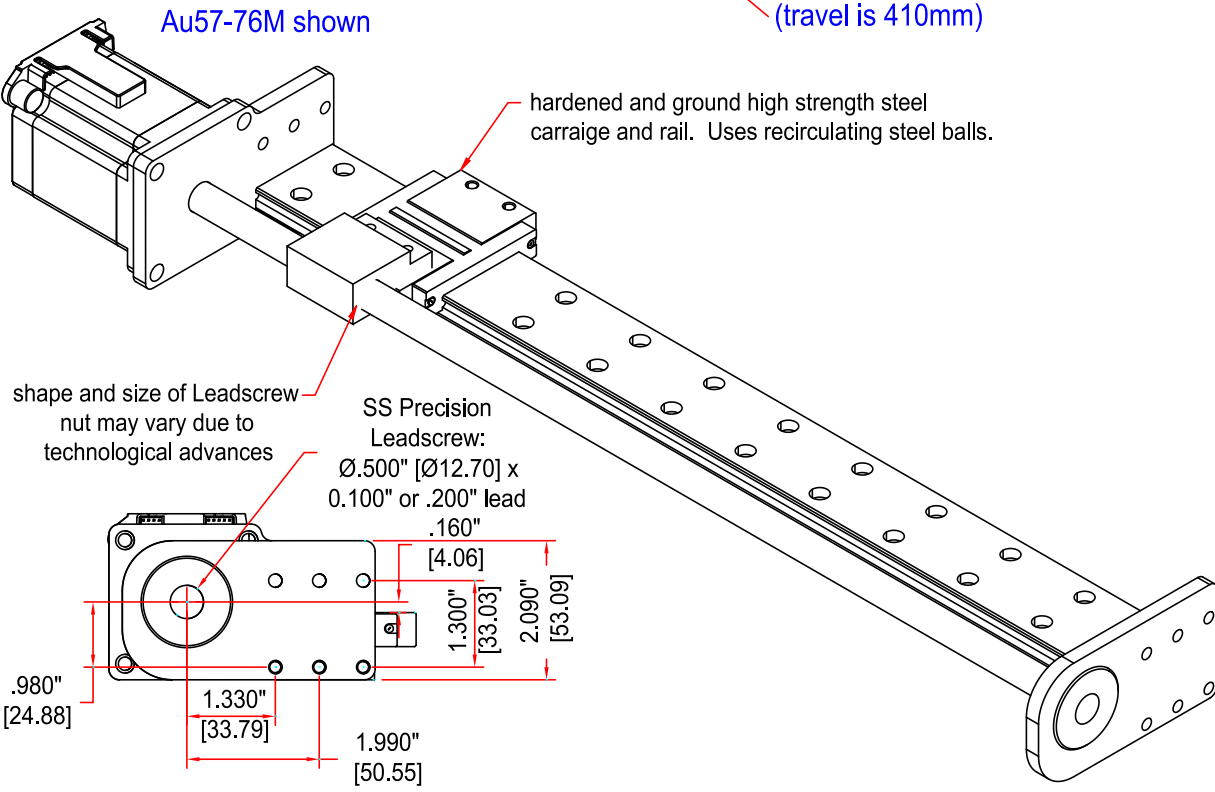


LS16-410-57-76M shown
(travel is 410mm)

Features

- Precision steel Linear Actuator is pre-loaded to eliminate play.
- High Positional accuracy determined by leadscrew--.200" lead produces ±.0005.
- Au57-76M for high torque and 800 half-steps per revolution.
- Optional Au57-40M for lighter weight or Au60-45 good torque and twice the speed.
- Optionaa Au60-45 for twice the speed and half the resolution.
- Load capacity is 200 lbs (900N) for long life and high strength, however recommend single Carriage load of 50 lbs max.
- Optional additional Carriage provides higher and larger loads.
- Includes power supply, AC power cord, RS232 serial port and 6 foot cable, and I/O cable 18" long for external logic control.



Warning--motors can cause severe injury. Specifications subject to change without notice. Rev. A

Faster Than Fast! ® 03/16/2011

EXCITRON
info@excitron.com www.excitron.com

LS16 Series Linear Actuator