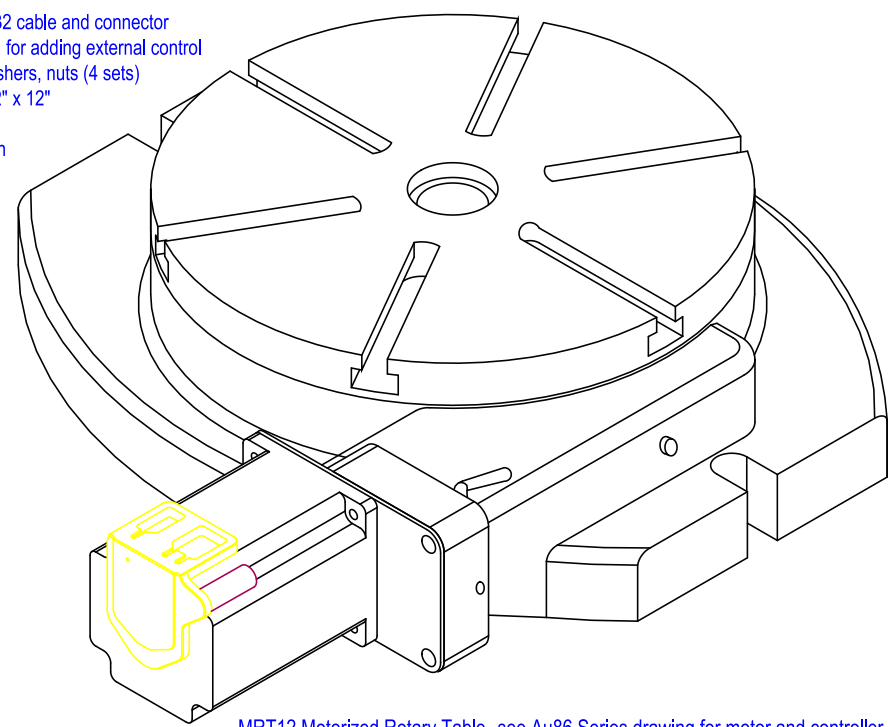


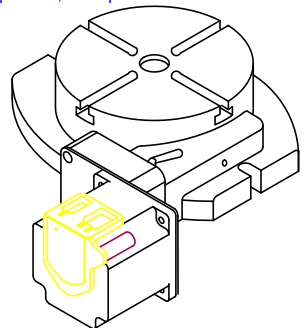
- Items included:
- PS24-80W power supply , RS232 cable and connector
 - Au I/O 9 wire cable open ended, for adding external control
 - Table slot mounting screws, washers, nuts (4 sets)
 - Neoprene splash guard, .06" x 12" x 12"
 - Table base mounting hardware
 - 2 Base locking levers, not shown



Ø1.570" locating hole [Ø39.9] x .40" deep

Ø1.233" Morse #4 taper [Ø31.33]

Motor/Gearhead Assembly rotates 360° by loosening the two M6 set screws. Motor can be rotated for best controller and connector position, example:



Ø1.050" bottom opening [Ø26.7]

Moly-lubricant zerk for filling reservoir

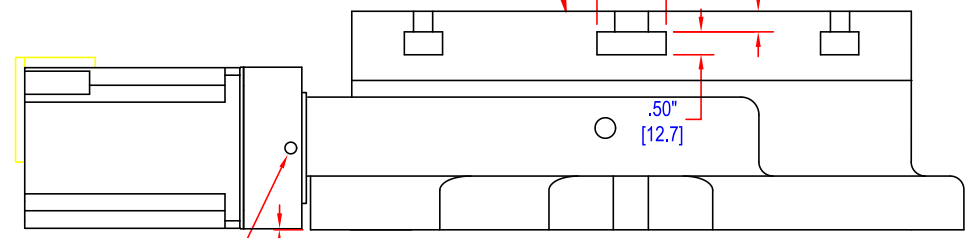
Lever to engage/disengage worm gear, allows free-wheeling of table.

MRT12 Motorized Rotary Table--see Au86 Series drawing for motor and controller details. Unit shown has 5:1 gear drive and precision ground 90:1 worm gears, 450:1 total ratio, and virtually zero backlash.

Theoretical Torque is 12,000 in-lb, practical torque is 4,00 in-lb, more than enough to mill using a Ø1.00 cutter through steel. Top speed of 8,000 motor half-steps/sec gives 2.7 rpm. Straight drive of 90:1 (13 rpm) also available, see www.excitron.com website. Weight is 156 pounds, ships in 2-3 boxes.

MRT12-86-118-90 also available, dimensions similar to MRT10-86-118-90. For higher torque, you can upgrade for a slight charge, to AuG86-156

Table top is flat to within .0006", and parallel to base by .0008"

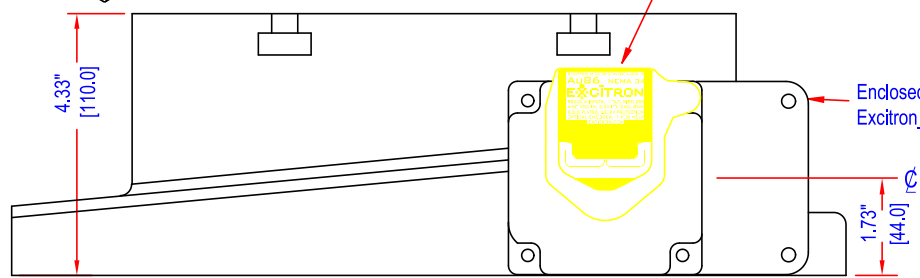


AuG86-118 Controller/encoder (controller/driver/encoder)

Enclosed 5:1 gearhead, details in Excitron_AuG86_Gearhead_dwg.pdf

Motor Assembly rotates 360° by loosening the two M6 set screws.

Warning--keep fingers from rotating parts, injury may result. Suggest using the neoprene cover sheet when table is used for machining.



EXCITRON
 5311 Western Ave #Q, Boulder, CO 80301
 info@excitron.com 303-859-9476
MRT12-86-118-450
 www.excitron.com ~25% 1/1 Rev. A