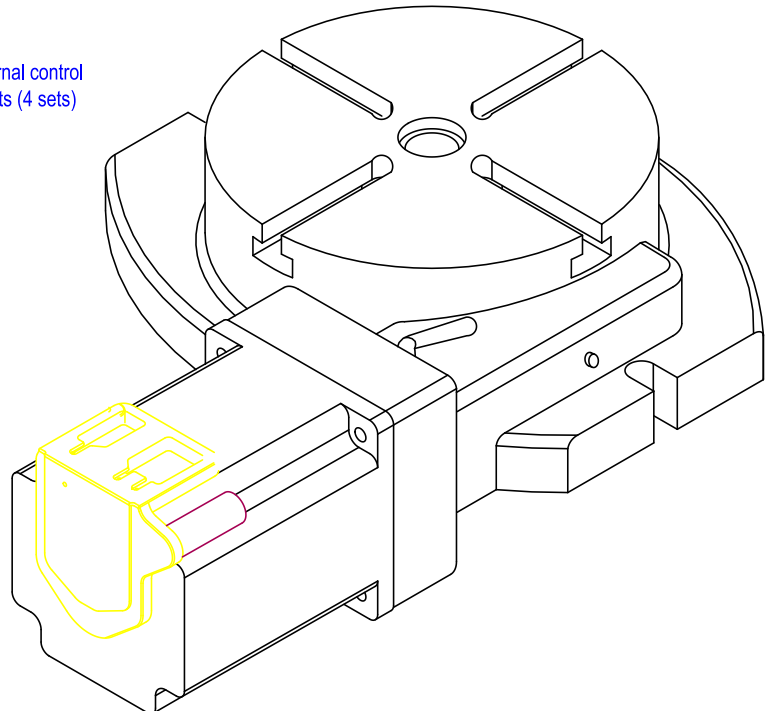


- Items included:
- PS20-90W power supply with connector
 - RS232 6' cable and connector
 - Au I/O 9 wire cable open ended, for external control
 - Table slot mounting screws, washers, nuts (4 sets)
 - Neorene splash guard, .06" x 12" x 18"
 - Table base mounting hardware
 - 2 Base locking levers, not shown

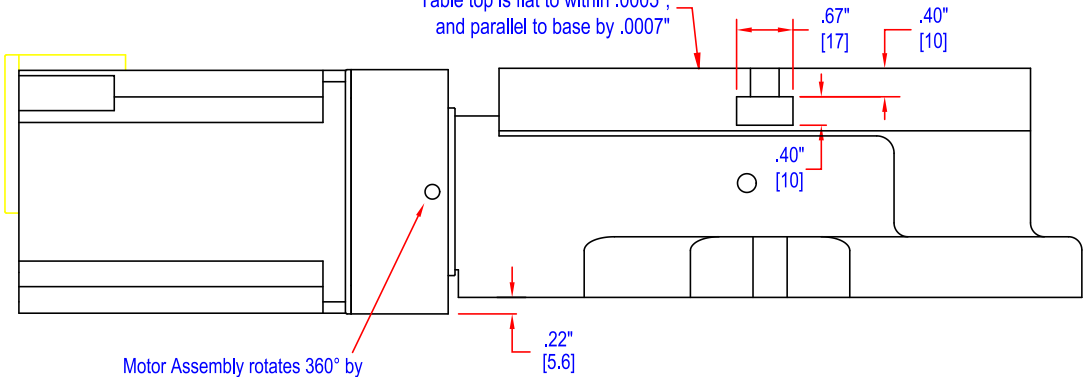


Lever to engage/disengage worm gear, allows free-wheeling of table.

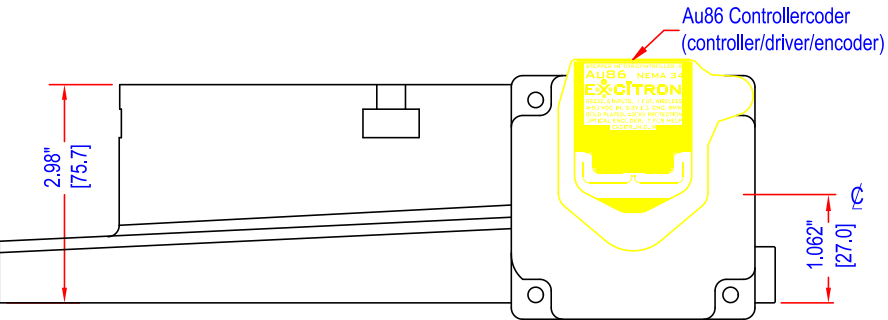
MRT6 Motorized Rotary Table--see Au86 Series drawing for motor and controller details. Direct drive and precision ground 90:1 worm gears, and virtually zero backlash.

Theoretical Torque is 2,400 in-lb, practical torque is 1,000 in-lb, more than enough to slowly mill using a Ø.750 cutter through steel. Top speed of 8,000 motor half-steps/sec gives 15 rpm. Gear drive of 450:1 (2.7 rpm) also available, see www.excitron.com website. Weight is 49 pounds, ships in 2 boxes.

Table top is flat to within .0005", and parallel to base by .0007"



Motor Assembly rotates 360° by loosening the two M6 set screws.



Warning--keep fingers from rotating parts, injury may result. Suggest using the neoprene cover sheet when table is used for machining.

EXCITRON
 info@excitron.com 303-859-9476
MRT6-86-118-90
 www.excitron.com ~37% 1/1 Rev. B