

Precision 8" Chuck 3 jaw

Each chuck comes with 3 inside and 3 outside jaws. Jaws are serialized for greater accuracy. Inside jaws actually clamp a rod, up to ~2", stronger than the outside jaws.

- All surfaces are ground high strength steel and hardened to HRC 58-62, except rear inner plate.
- Inside jaws clamping range is ~Ø.10 to Ø8.3".
- Outside jaws jamming range is ~Ø2 to Ø7.7".
- Runout is less than .002", possible to shim to zero.
- Weight is 29 lbs.

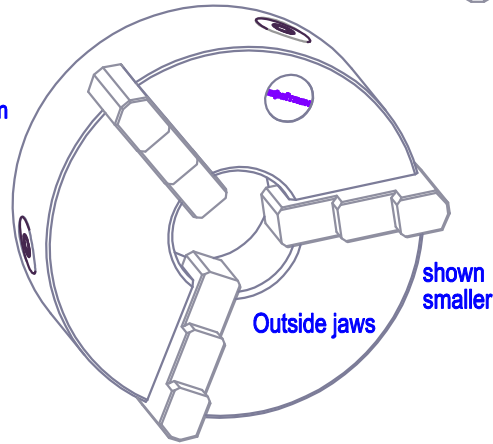
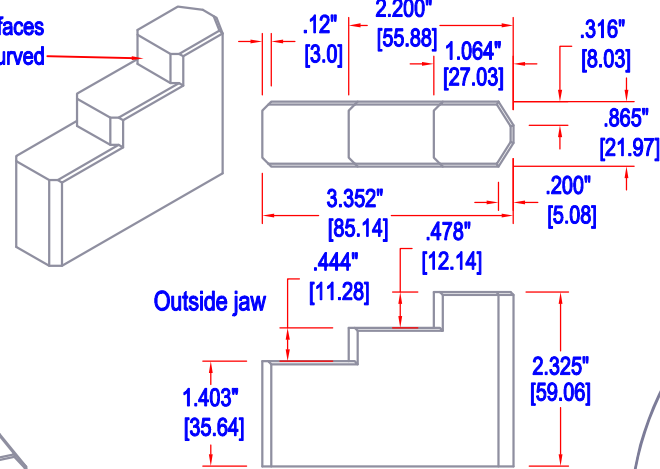
p/n: **Chuck8-3Jaw-SC** with self-centering dependent action

p/n: **Chuck8-3Jaw-I** with independent action

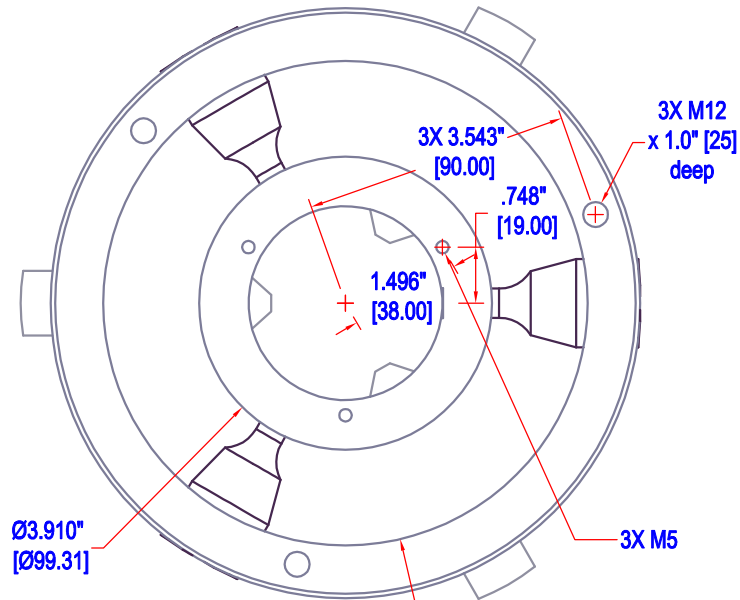
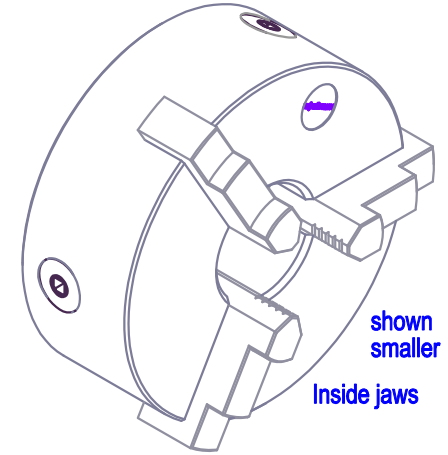
Items included:

- T-handle square wrench
- Key ring with 10 metric hex keys: 1.5 to 10mm.
- 3 M12 screws.

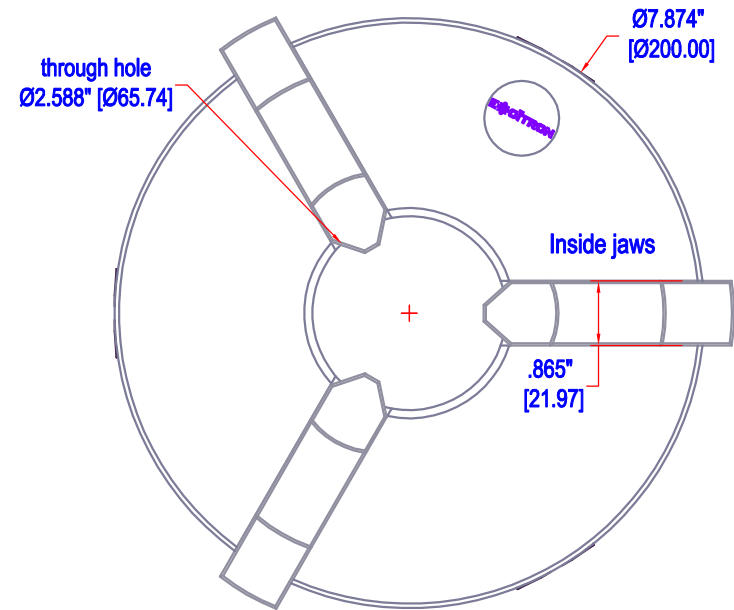
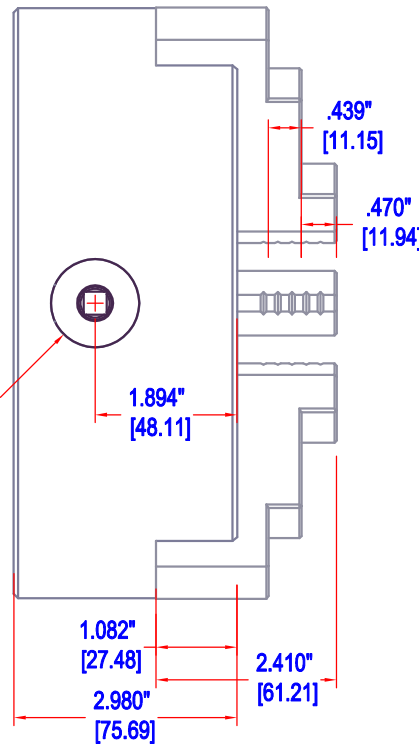
clamping surfaces
are curved



Outside jaw



bottom view shown
without plastic cover



8" Chuck 3 jaw