

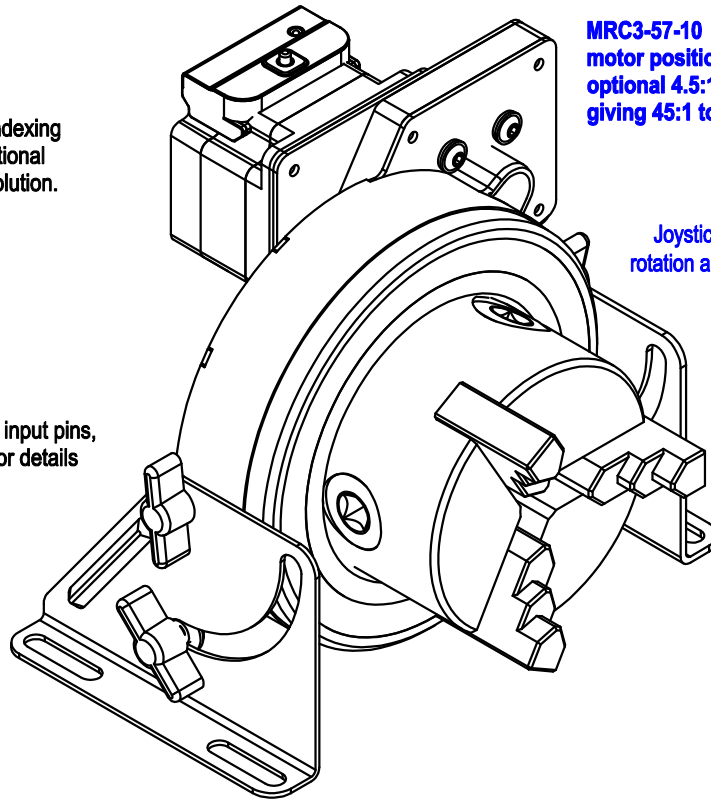
Excitron MRC3-57-10 Motorized Rotary Chuck

- Self-centering 3 dependent jaw rotary chuck
- High precision, strong and rugged
- Variable tilt and lock from 0° to +90°
- Many uses for Lab, testing, marking, and assembly
- Full features for automatic or manual rotation and indexing
- Intelligent gold plated X57-40M motor/controller, optional larger motor X60-45 with 2X torque but half the resolution.
- Small compact size, only weighs 8 pounds
- Extremely low backlash, 2-4 arc-min

Features

- High resolution—one motor half-step is 2 arc min
- 8,000 motor half-steps per revolution
- Output speed range is 0.2 rpm to over 75 rpm
- East to set torque limit, ideal for assembly fixture
- Versatile standalone control, such as CNC step/dir, input pins, stop/go, and analog speed on-the-fly, see manual for details
- Can mount to a vertical surface
- Torque up to 46 in-lb

mount upright for innovative assembly and time saving fixtures



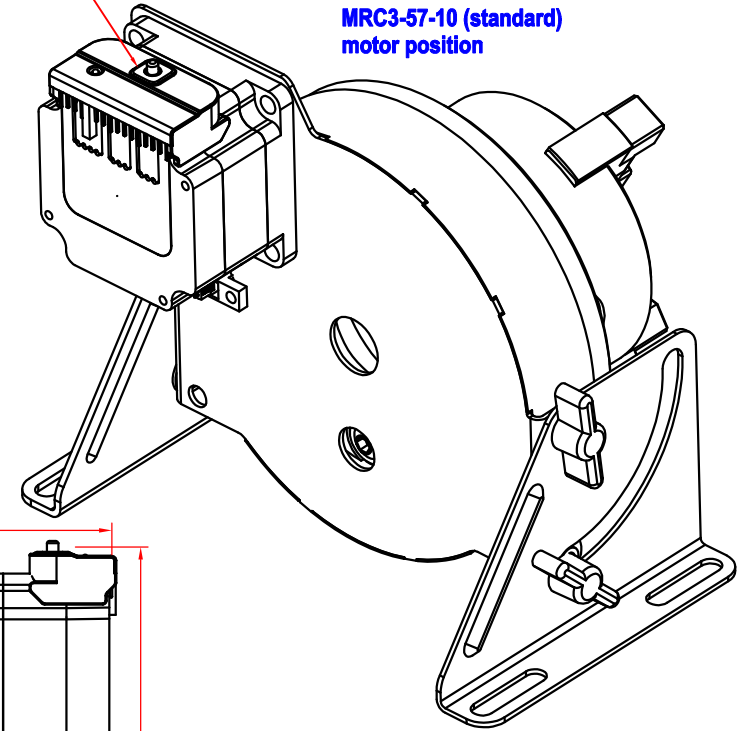
MRC3-57-10 motor position with optional 4.5:1 Gearbox, giving 45:1 total gear ratio

Joystick for handy rotation and indexing

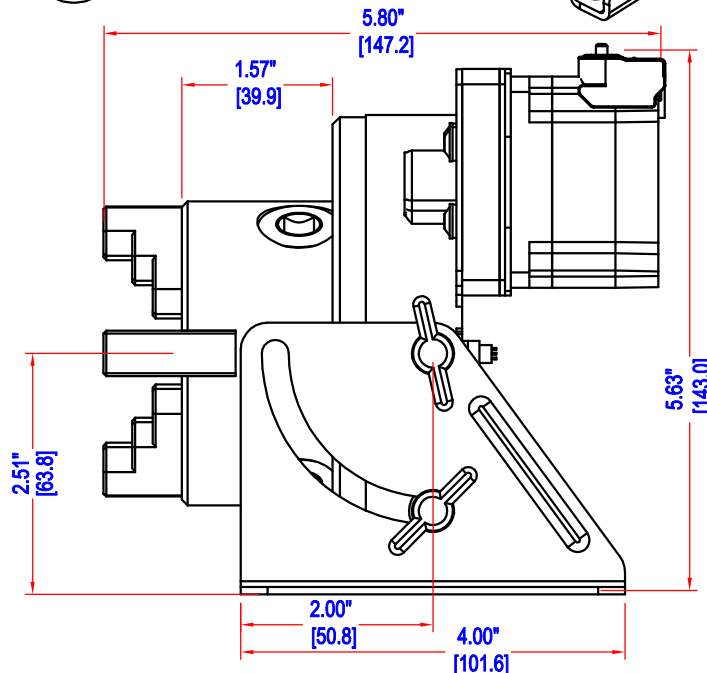
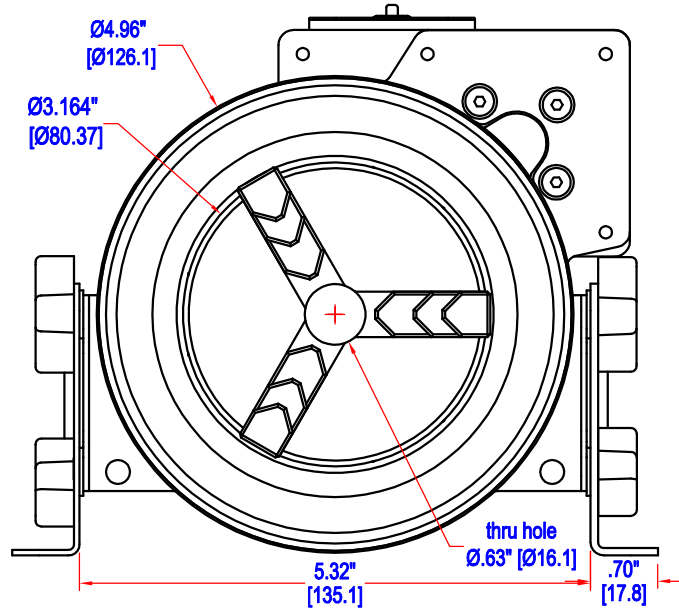
Items included:

- Complete ready-to-run out of the box using the Joystick –no PC!
- X57-40M intelligent precision stepper motor and controller/driver.
- 6 jaws (3 inside and 3 outside) & chuck key with handle.
- USB micro cable for control by smart phone!
- USB-TTL-3 adapter cable.
- AC/DC Power supply 100-240 vac 50/60 hz with AC power cord.
- Two 3 pin I/O cables, 4" long, open-ended.
- 10 key hex wrench set.

MRC3-57-10 (standard) motor position



MRC3-57-10 motor position with optional 4.5:1 Gearbox, giving 45:1 total gear ratio



visit www.excitron.com Documentation for Excitron_X_Controller_Manual, Excitron_X_Comparison_Table, & Excitron_X_Torque_Graphs.

EXCITRON
info@excitron.com 303-859-9476
MRC3-57 & MRC3-60