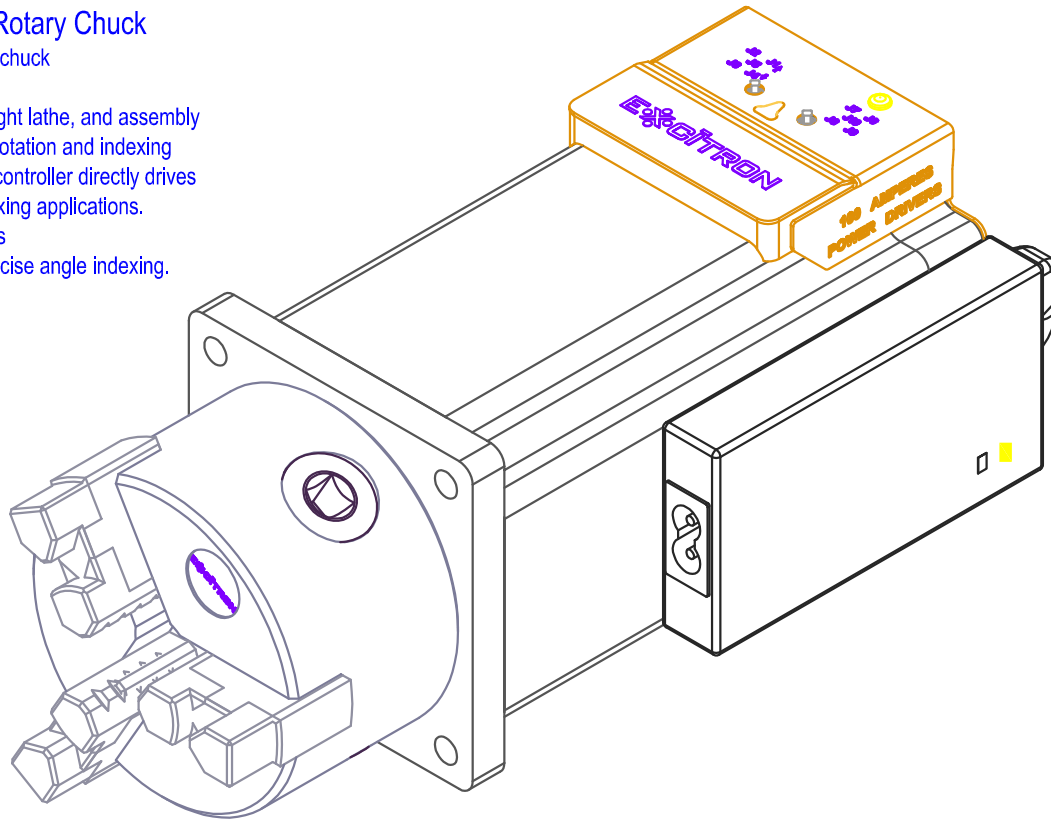


Excitron MRC3-86-156-3Jaw Rotary Chuck

- Self-centering 3 dependent jaw rotary chuck
- Precision chuck, strong and rugged
- Many uses for Lab, testing, scribing, light lathe, and assembly
- Full features for automatic or manual rotation and indexing
- Intelligent gold plated X86-156 motor/controller directly drives the chuck for medium speed and indexing applications.
- Small compact size, weighs 16 pounds
- Direct drive--has zero backlash for precise angle indexing.

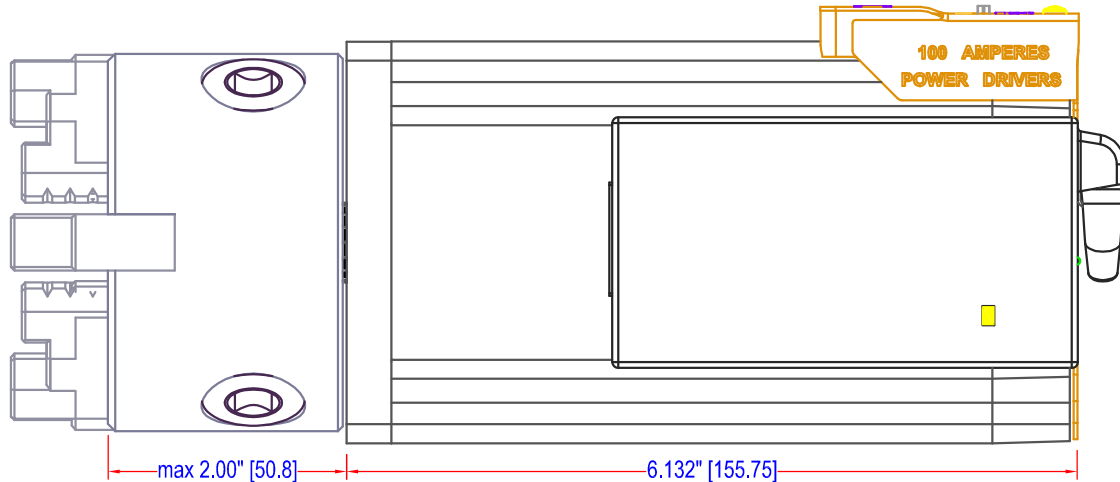
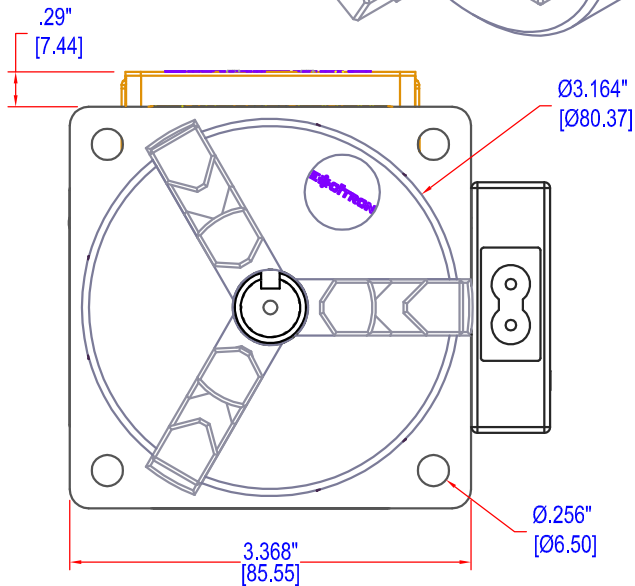


Features

- Angular resolution of one motor half-step is 0.90°
- Output speed range is 10 to 1,000 rpm
- Versatile standalone control with dual onboard Joysticks, input pins, stop/go, and change speed on-the-fly, see X Controller manual for details.
- Mount to a vertical surface or even mount upside down
- Torque up to 80 in-lb
- Includes 6 jaws (3 inside and 3 outside), jaw wrench, universal 85-250 VAC 50/60 hz power supply, AC cord, USB-TTL-3pin serial cable, 2 I/O cable (open ended), 10 Key hex wrench set

MRC3-86-156-4Jaw

independent jaws available, same price



EXCITRON
 info@excitron.com 303-859-9476
MRC3-86-156