

## Precision MRC8-86-156 8" Chuck 3 jaw

Each chuck comes with 3 inside and 3 outside jaws. Jaws are serialized for greater accuracy. Inside jaws actually clamp a rod, up to ~2", stronger than the outside jaws.

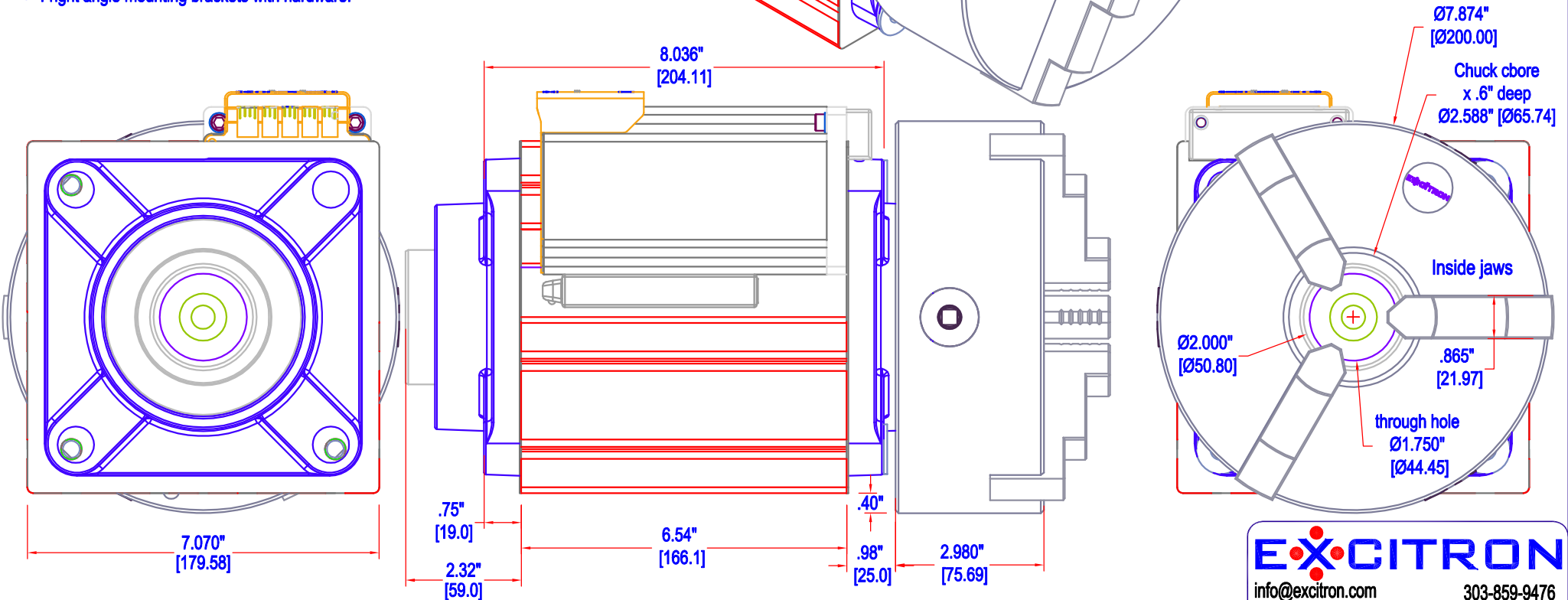
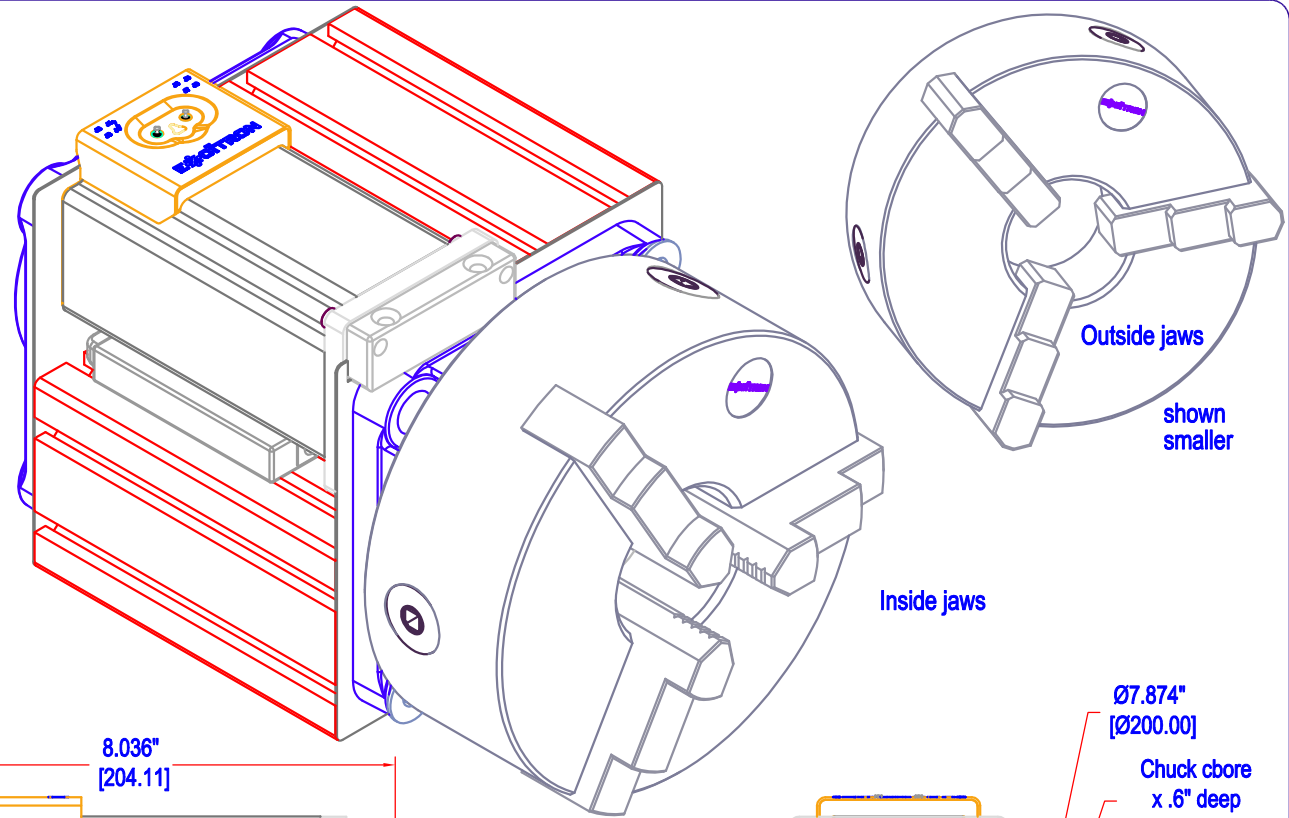
- Adjustable speed from 6-120 rpm.
- All Chuck surfaces are ground high strength steel and hardened to HRC 58-62.
- Inside jaws clamping range is ~Ø.10 to Ø8.3".
- Outside jaws jamming range is ~Ø2.0 to Ø7.7".
- Runout is less than .004", possible to shim to zero.
- Weight is 72 lbs.

p/n: **MRC8-86-156-3SC** with self-centering dependent action

p/n: **MRC8-86-156I** with independent action

### Items included:

- T-handle square wrench
- Key ring with 10 metric hex keys: 1.5 to 10mm.
- Internal AC/DC power supply with AC cord.
- 4 right angle mounting brackets with hardware.



**EXCITRON**  
 info@excitron.com 303-859-9476

**MRC8-86-156 Rotary Chuck**