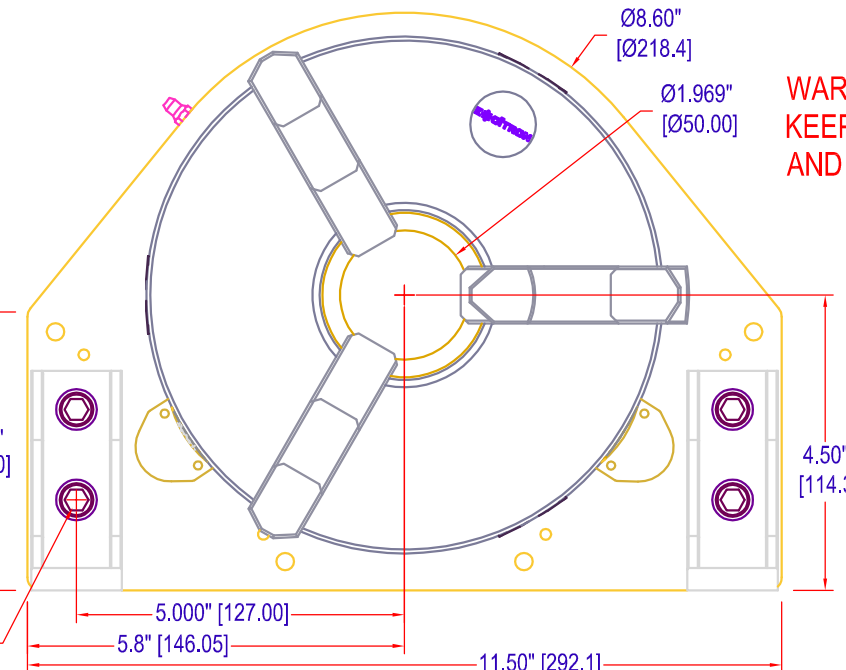
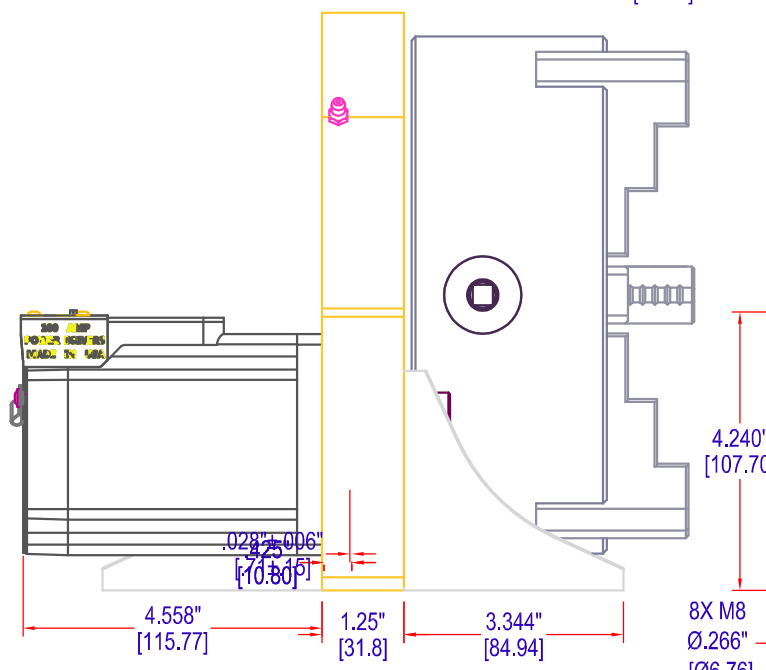


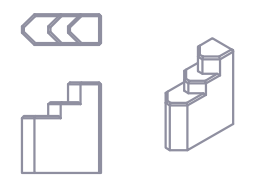
MRC8-86-118 6" motorized Chuck 3 jaw

- Each chuck comes with 3 inside and 3 outside jaws. Jaws are serialized for greater accuracy. Inside jaws actually clamp a rod, up to ~2", stronger than the outside jaws.
- All chuck surfaces are ground high strength steel and hardened to HRC 58-62, except rear inner plate.
 - Gear ratio gives you 0-36 rpm for medium loads, 0-70 rpm with lighter loads.
 - Inside jaws clamping range is ~.08 to 6.3".
 - Outside jaws jamming range is ~2 to 5.7".
 - Runout is less than .003", possible to shim to zero.
 - High angular precision is $\pm .10^\circ$, and 4,400 halfsteps per revolution.
 - Motor mounts on left as shown, or on right side.
 - Weight is 50 lbs.
- p/n: **MRC8-86-118-3Jaw** self-centering dependent action
 p/n: **MRC8-86-118-4Jaw** independent action

- Items included:
- Complete X86-118 motor kit as on webpage, power supply, cables, USB
 - T-handle square wrench
 - Key ring with 10 metric hex keys: 1.5 to 10mm.
- Optional:
- Larger stronger X110-150 motor/controller.
 - DRO digital readout on motor



WARNING!
 KEEP FINGERS AWAY FROM CHUCK
 AND JAWS WHILE ROTATING!



Outside jaw not to scale

EXCITRON
 info@excitron.com 303-859-9476
MRC8 Series 8" Chuck
 www.excitron.com 33% 1 / 1 Rev. A