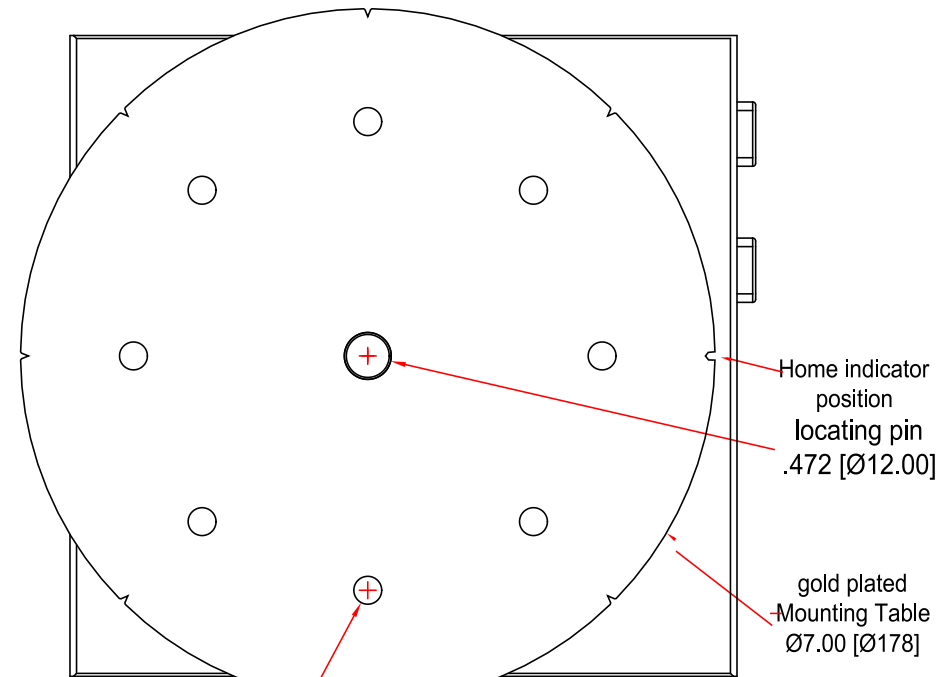


Excitron MRT7-57-25 Rotary Table

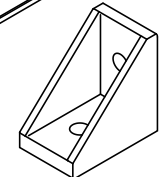
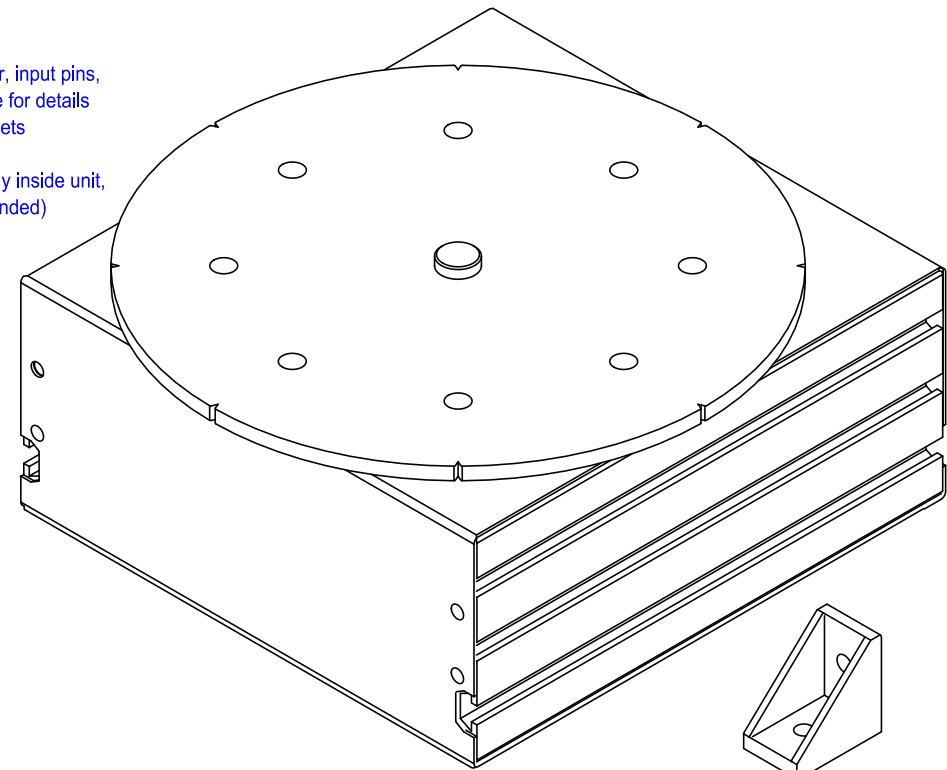
- High precision, strong and rugged
- Many uses for Lab, testing, marking, and assembly
- Full features for automatic or manual rotation and indexing
- Intelligent gold plated Au57-40M motor/controller,
- Small compact size, only weighs 7 pounds
- Use table top as shown, or add larger custom tables
- Extremely low backlash, 4 arc-min
- Same as MRT7-60-25, except: 20% less torque, half the speed, and twice the resolution

Features

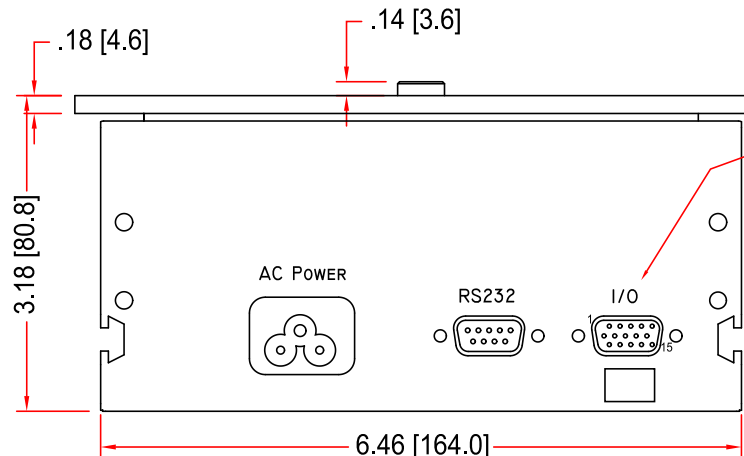
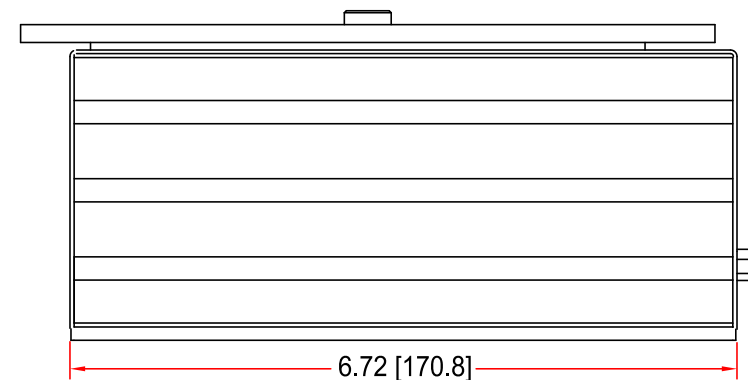
- High resolution—one motor half-step is .0180 degrees
- 20,000 motor half-steps per revolution
- Output speed range is 2 to 30 rpm
- Home sensor for accurate indexing
- Easy to use external control, such as CNC step/dir, input pins, stop/go, and analog speed on-the-fly, see website for details
- Easy mounting to any surface using 4 angle brackets
- Torque up to 120 in-lb
- Includes universal 85-250 VAC 50/60 power supply inside unit, AC cord, RS232 6' serial cable, I/O cable (open ended)



4X M5 x 5mm deep on 4.724" [120.0] bolt circle



4 angle brackets and hardware included



DB15HD to Au Series Controllercoder pinout:

1	+3.3v	6	In6	11	gnd
2	In2	7	In7	12	gnd—note1
3	In3	8	In8	13	+V
4	In4	9	Reset	14	+V
5	Out5	10	gnd	15	+V

note1: Products made before Sept 2009 have +24v on this pin.

EXCITRON
 info@excitron.com 303-859-9476
MRT7-57-25