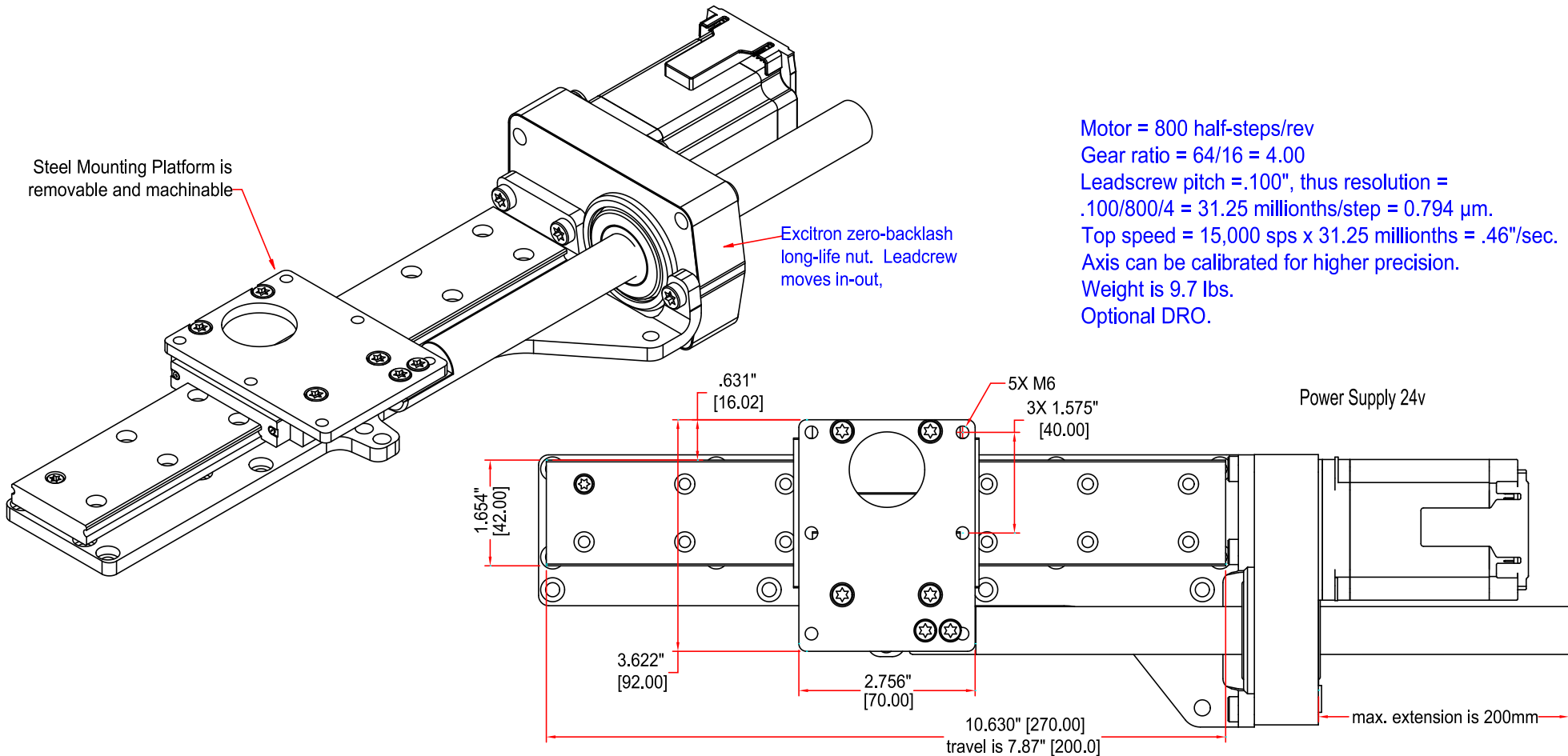


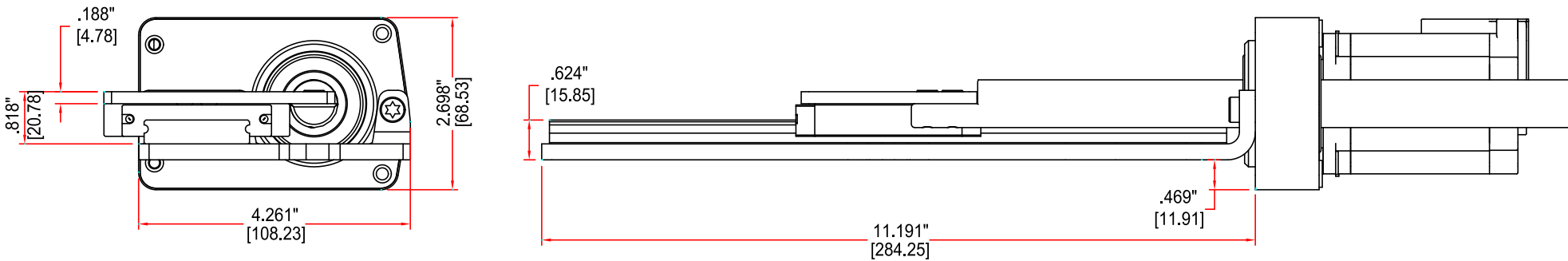
Steel Mounting Platform is removable and machinable

Excitron zero-backlash long-life nut. Leadcrew moves in-out,

Motor = 800 half-steps/rev
 Gear ratio = 64/16 = 4.00
 Leadscrew pitch = .100", thus resolution =
 $.100/800/4 = 31.25$ millionths/step = 0.794 μ m.
 Top speed = 15,000 sps x 31.25 millionths = .46"/sec.
 Axis can be calibrated for higher precision.
 Weight is 9.7 lbs.
 Optional DRO.



Travel is 200mm, other travel options available



LS200-57-4 shown, with Au57-76M

LS200-60-4 same, with Au60-45 for 2X speed and half the resolution

scale: 40%

EXCITRON
 info@excitron.com www.excitron.com

Warning--motors can cause severe injury. Specifications subject to change without notice. Rev. A

Faster Than Fast! ® 06/26/2012

Ultra-Precision CNC Actuator