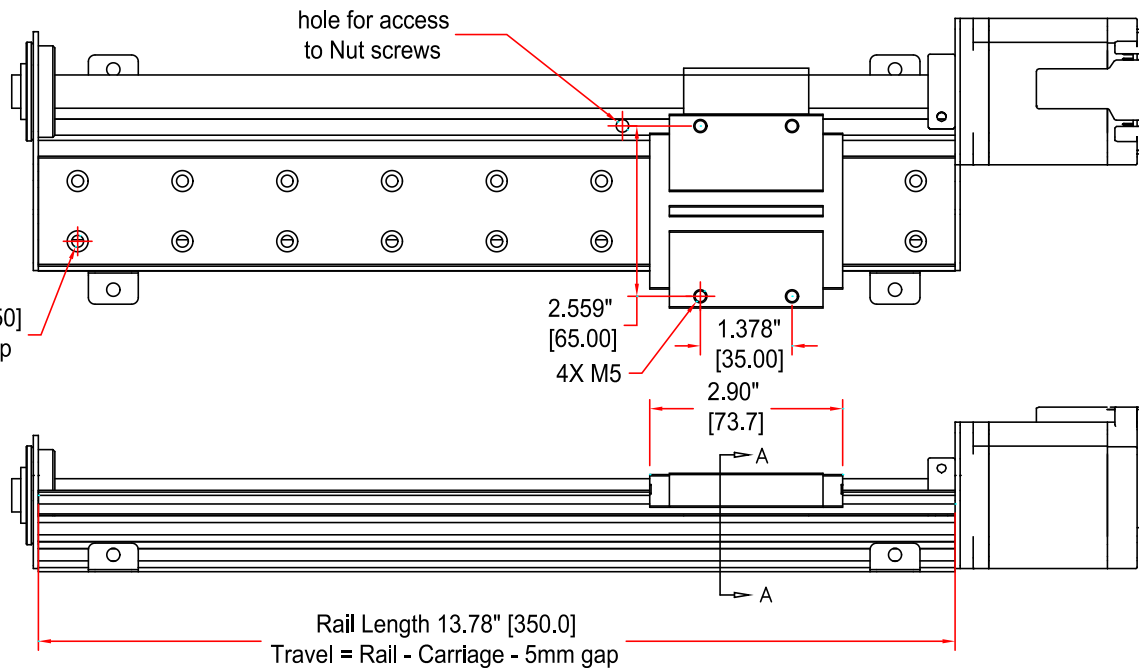
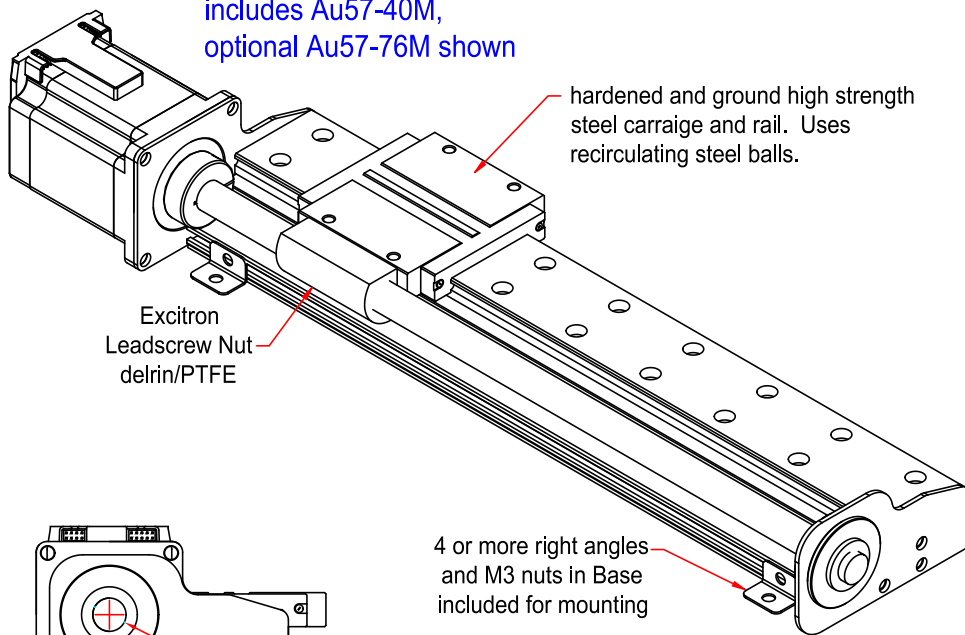


c'bore  $\varnothing$ .177" [ $\varnothing$ 4.50]  
x .17 [4.5] deep, typ



includes Au57-40M,  
optional Au57-76M shown



Precision steel 2C Leadscrew:  
 $\varnothing$ .500" [ $\varnothing$ 12.70] x  
0.100" standard, or special  
.200", .250", .500" lead

replaces LA16, same basic product

LS42-410 shown, select your own travel from 35 to 595 mm

### Features

- Precision steel Linear Actuator is pre-loaded to eliminate play.
- High Positional accuracy determined by leadscrew-- .100" lead produces  $\pm$ .00025.
- Excitron proprietary leadscrew nut gives you ZERO play.
- Thin design fits tight spaces.
- Au57-40M for high torque and 800 half-steps per revolution.
- Optional Au60-45 for twice the speed and half the resolution.
- Load capacity is 200 lbs (900N) for long life and high strength, however recommend single Carriage load of 40 lbs max.
- Includes power supply, AC power cord, RS232 serial port and 6 foot cable, and I/O cable 18" long for external logic control.
- Optional additional Carriage provides higher and larger loads.

**EXCITRON**

info@excitron.com www.excitron.com