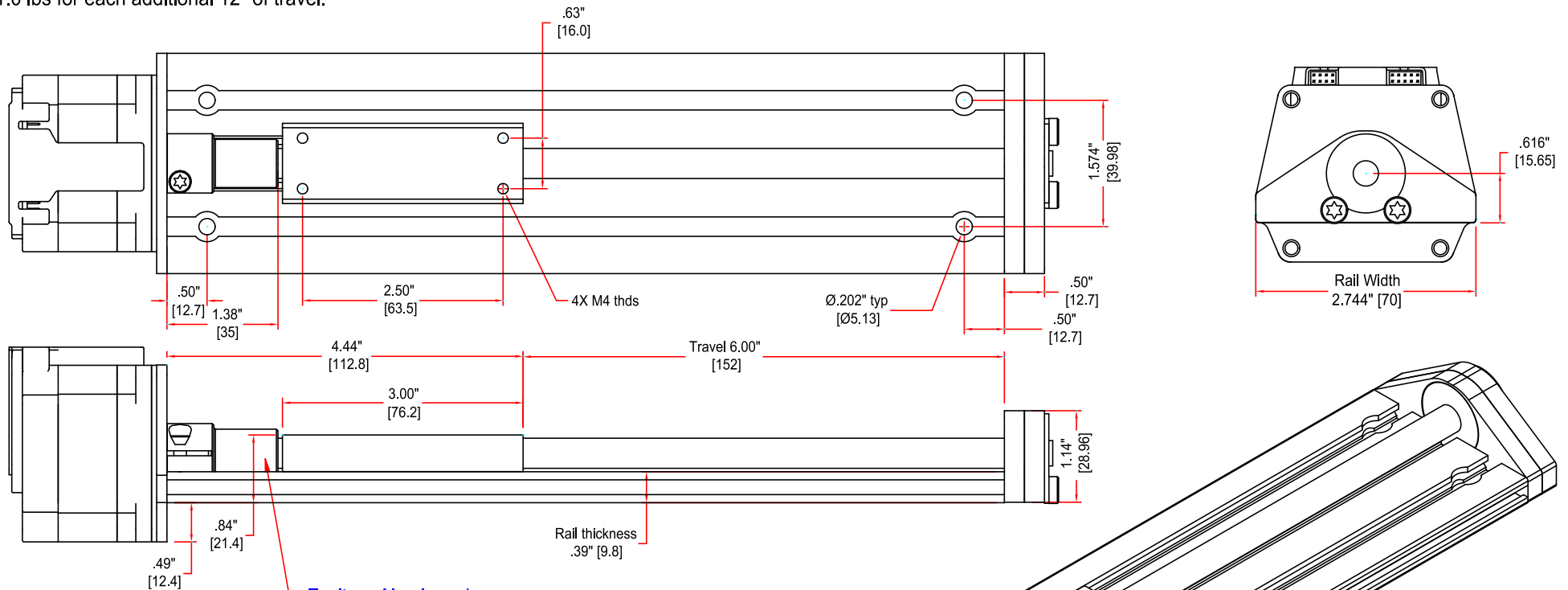


## LS70 Leadscrew Slider Features:

- Ultra-slim assembly fits tight spaces.
- Suitable for vertical lifting, does not drop when power is removed. Rated for maximum 80 pounds thrust, designed for .1-15 pound loads.
- Rail length is Travel plus 4.44" [112.8].
- Steel leadscrew is .375"-12, 12 revs/inch, secured by 2 strong flanged ball bearings.
- Top Speed is 1.6-2.2 in/sec, with a 10 lbs load.
- Low friction, long life and zero stiction with delrin/PTFE nut.
- Very light weight, 6" travel unit weighs 3 lbs, add 1.0 lbs for each additional 12" of travel.

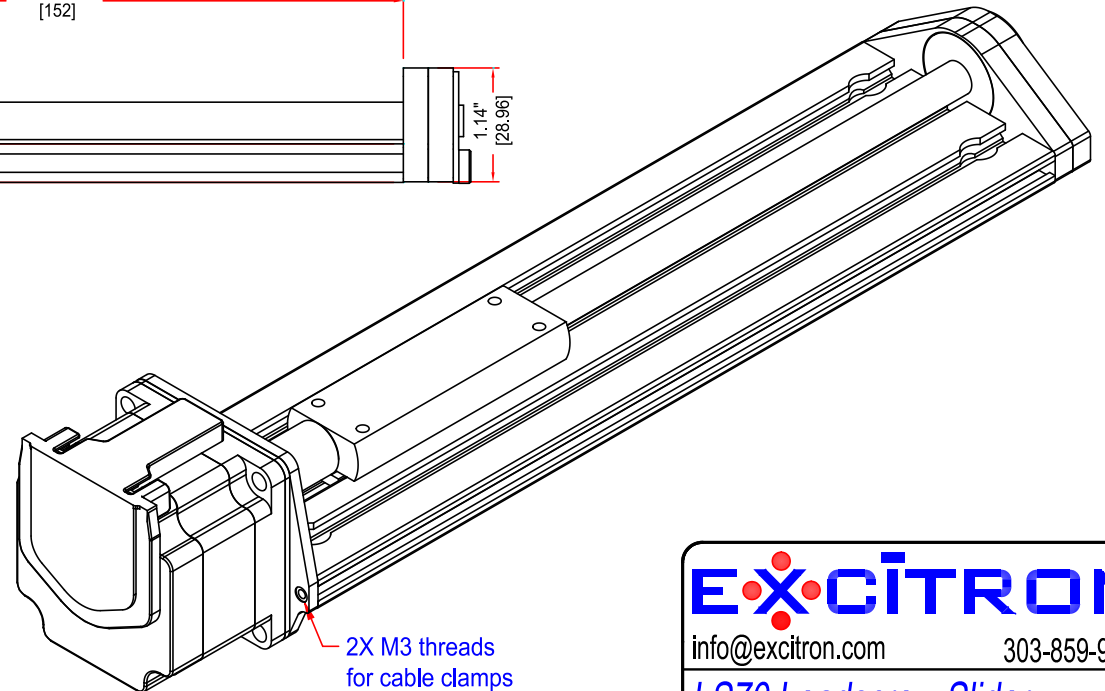
## Items included:

- Complete ready-to-run Leadscrew Slider/Nut with precision Rail
- Au57-40M stepper motor and controller
- AC/DC Power supply 100-240 vAC 50/60 hz with Power/RS232 (DB9) connector and AC power cord
- I/O cable with 2 x 5 housing, 18" shielded 9 conductor 28AWG for adding your switches, potentiometers, and other external controls
- 6 foot RS232 DB9 cable, 2 cable clamps
- DB9 serial Loopback Tester



Au57-40M shown, optional Au60-45 for 2X speed and half the resolution

Excitron Aluminum bronze Coupler, .2500" ID and secured to Leadscrew



visit [www.excitron.com](http://www.excitron.com) for all documentation.  
SKU on [www.excitron.com](http://www.excitron.com): **LS70-006**  
Travel length shown is 6", you can select any travel

See Au\_Controllercoder\_Manual.pdf  
and Excitron\_Au57\_dwg.pdf.

**EXCITRON**  
info@excitron.com 303-859-9476  
**LS70 Leadscrew Slider**