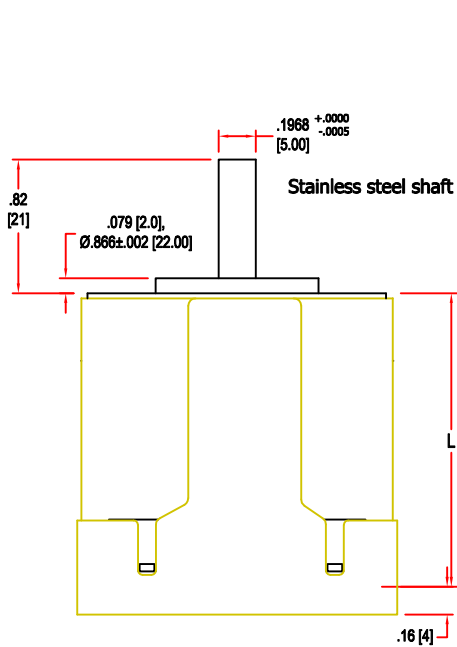


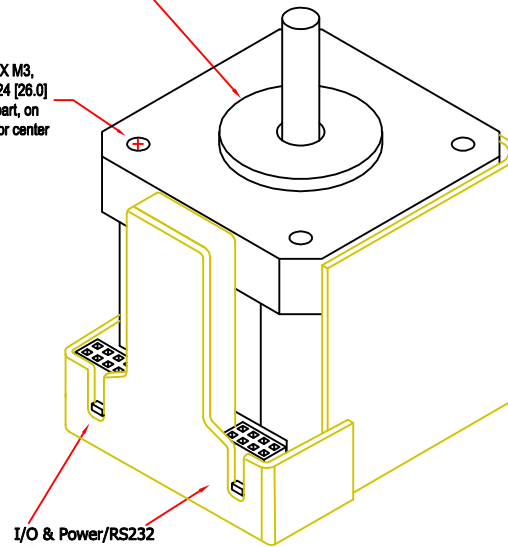
New! GOLD Controller/motors

Each Controller/motor is fully integrated with the stepper motor, producing the most compact and powerful intelligent motor drive available. Complete family can drive stepper motors from 15mm diameter to NEMA 42, and perfectly matches drive amperage with the motor size. These units offer the first total 100% motor drive solution, allowing easy plug-n-play for machines, CNC, robots, actuators, vehicles, and all equipment.

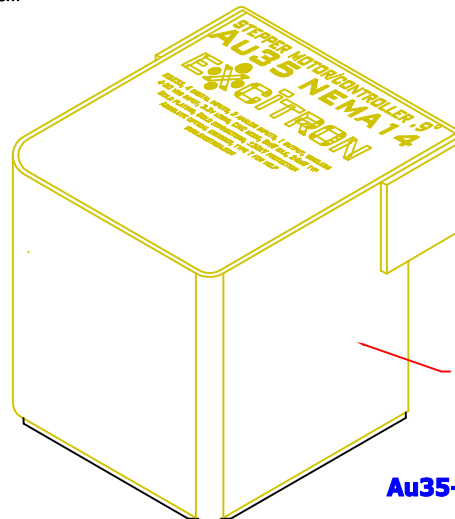
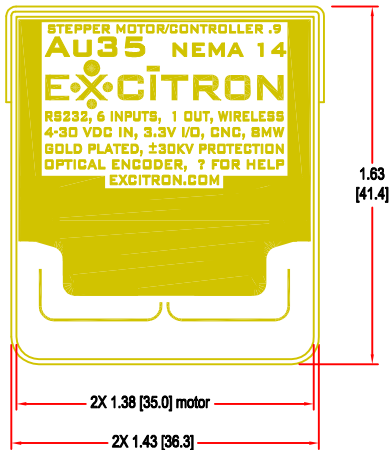


round boss only until current stock is depleted, this saves length and weight

4X M3, 1.024 [26.0] apart, on motor center



I/O & Power/RS232 cable connectors, see Au_Controllercoder_pins.pdf on www.excitron.com



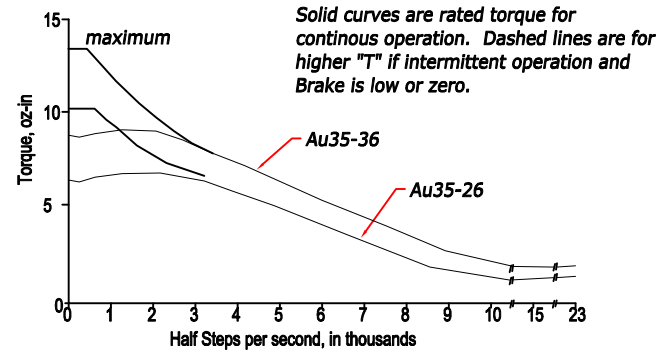
Au35-26 shown

Ref: Au_Controllercoder_Manual, Au_Controllercoder_Pins

Features common to all Au Gold Controller/motors

- Gold plated connectors, printed circuit boards, and covers for ultimate reliability, heat flow, and performance.
- Easily change direction, number of steps, speed, acceleration, and torque.
- On-board RS232 serial communication port.
- 6 input pins (2 analog), and 1 output pin for external standalone motion control, ±30kV protection, 3.3 volt logic, +5v tolerant. Easily change speed on-the-fly.
- Dual microcomputers with enough memory and speed for full automatic and robotic motion control. Multi-axis capability eliminates PLCs and PCs.
- CNC Driver mode using step and direction pins.
- Contains all the electronics required for complete motor control—nothing else needed except power supply, regulated 4 to 30 vdc.
- Temperature and voltage monitoring, thermal shut-down control.
- Extremely high efficiency, only uses 8mW, controller runs cool.
- Exact same connectors for all motor sizes gives total compatibility. Cables exit tightly against motor for superb cable management.
- Full backwards compatibility with previous Excitron Controllers.
- Optional 2.4ghz RF 6LoPAN and unique internet address for worldwide remote control, diagnostics, updates, and status.

All 35 series motors are industry standard NEMA 14, 0.90 deg/half-step, and are rated at .8A/winding. The Au35 series can handle 6 amps and results in lowest heat generated. The usual power supply amperage is .3-.8 amps at 12 vdc.



Motor/Controller	L ±.03	Wt.	Torque
Au35-26	1.03"	6.6 oz	7 in-oz
Au35-36	1.42	7.2	9

EXCITRON

info@excitron.com www.excitron.com