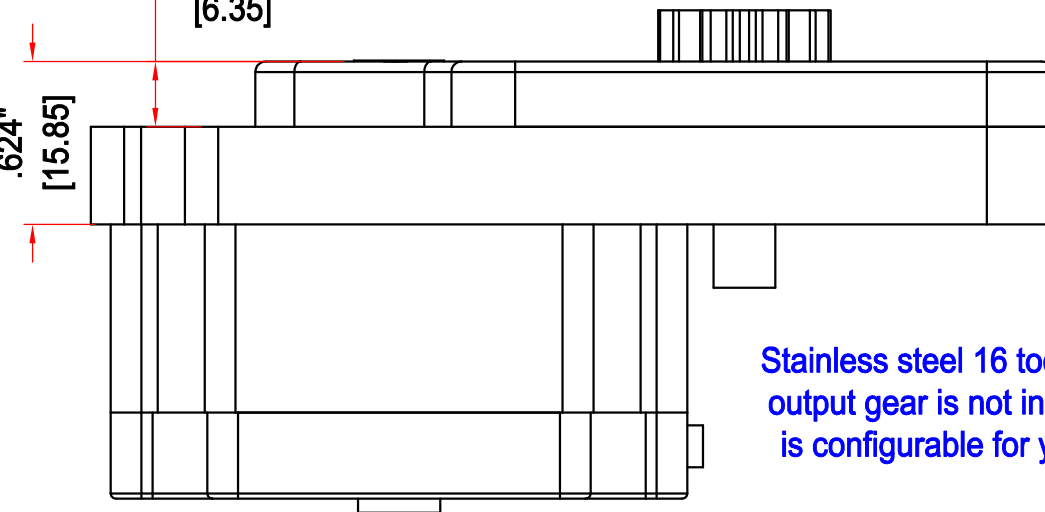


.250" 4X M4
[6.35]

.624"
[15.85]

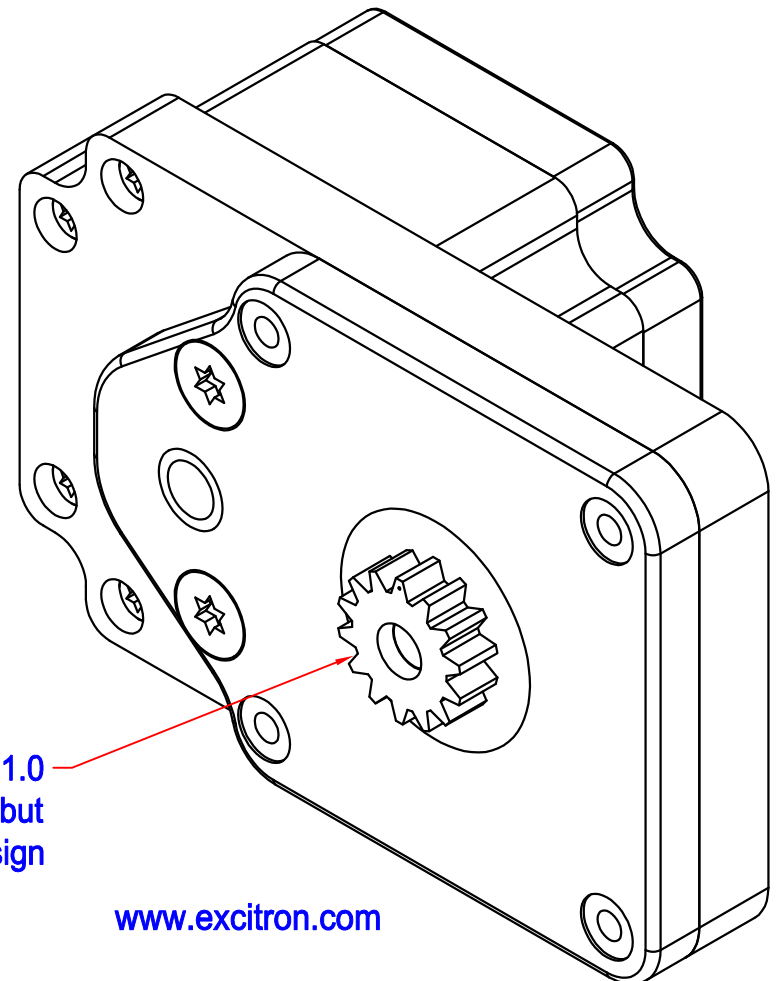


Stainless steel 16 tooth mod1.0
output gear is not included, but
is configurable for your design

Au57-40M or 57-66M or 57-76M

Excitron Au57 Series motor and gearhead

- stepper motor with controller and 5:1 gearbox,
- high precision of 4,000 half-steps per revolution
- Torque is 4.8 times higher than motor alone
- Motor runs smoother because speed of motor is increased by 5 times
- Top speed of ~225 rpm
- Uses less energy by lowering amperage
- Weighs only 7 ounces more than the motor



www.excitron.com