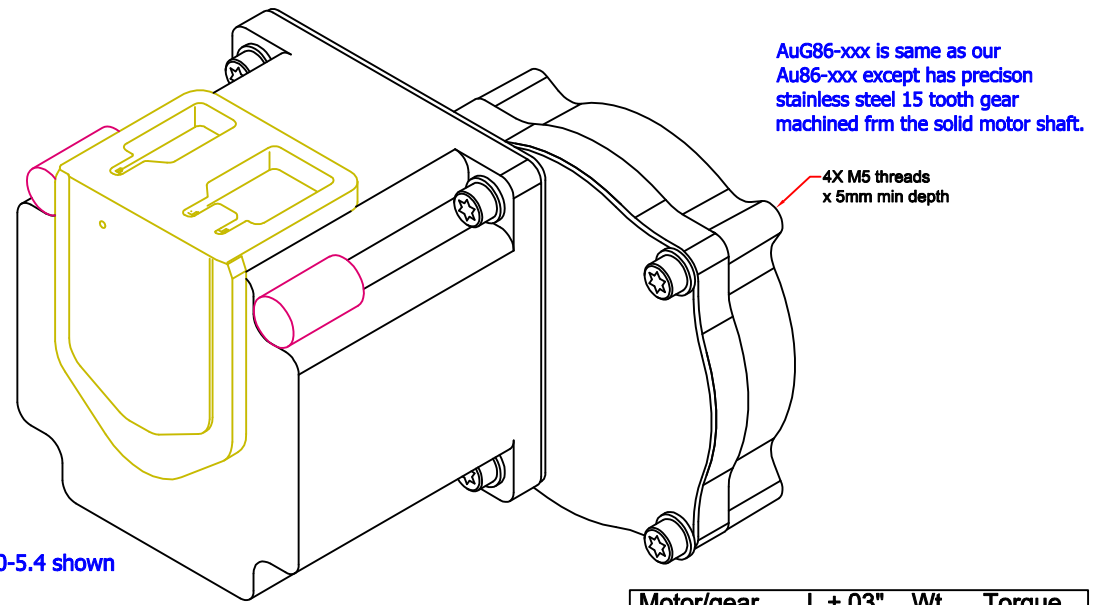
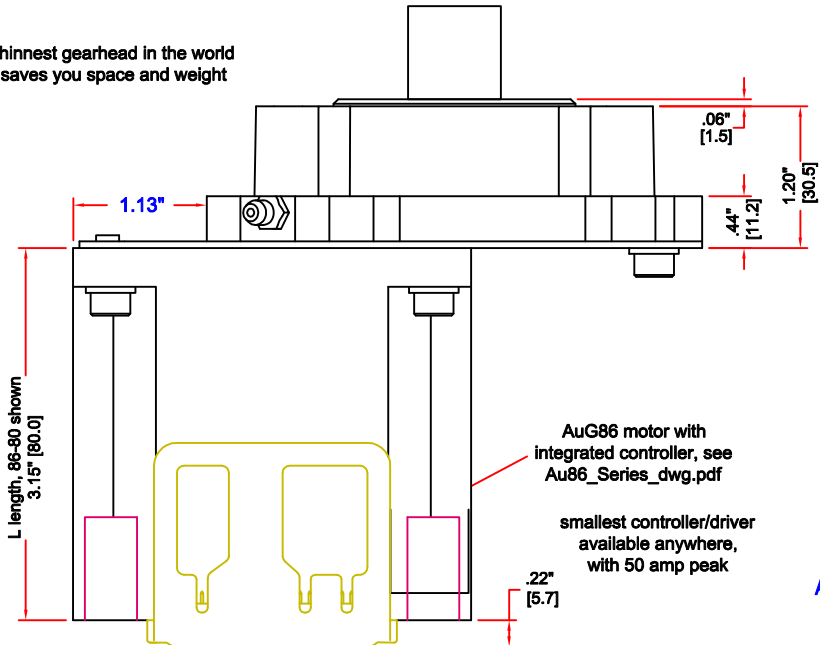


# 86mm NEMA 34 Stepper Motors with integrated controller and 5.4:1 Gearhead

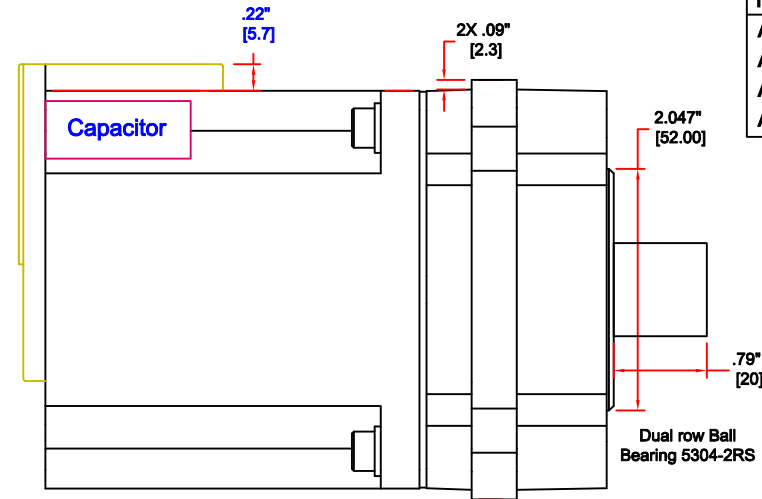
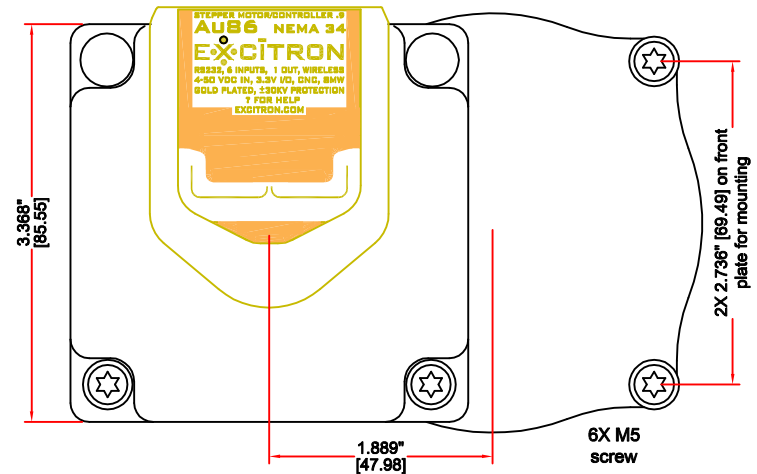
- Complete ready-to-run Au86 series motor with strong 5.4:1 steel gearhead. Use for automatic assembly, large mills, heavy vertical lifts, or as rotary indexing table.
- Compact size to fit tight spaces, shortest gear box length available.
- Output torque is increased 5.4 times vs. motor torque.
- Output resolution is increased 5.4 times for very high accuracy--2,160 half-steps/revolution.
- Integer value of 6 motor half-steps per degree allows rotation to any angle exactly.
- Single stage spur gears give efficiency of 96-97%.
- Advanced technology of machining precision motor pinion gear directly from the stainless steel motor shaft as one integral part--eliminates keyways, screws, clamps, adhesives, etc.

- Gear Backlash is near zero, and is slightly adjustable. Gears are 75,000 psi AL2024, quiet running, have long life, and are more economical than planetary gears.
- Light weight--only 1.6 lbs for the gearhead allows faster moving mechanisms.
- Exact same gearhead for any of the AuG86 series motors, only the motor length is different.
- Stand MEMA34 hole pattern for mounting to your plate and mechanism.
- Save time and money by specifying your custom output shafts, for a nominal charge. We can even add gears, pulleys, leadscrews, shaft couplers.
- Optional Direct Drive gear change Kit, part number 86-5.4-1. Allows you to "shift gears" from 5.4:1 to 1:1, giving you great versatility for many other torque and speed requirements.

thinnest gearhead in the world saves you space and weight



AuG86-80-5.4 shown



Motor/gear	L ±.03"	Wt.	Torque
AuG86-65-5	2.75"	5.4 lb	160 in-lb
AuG86-80-5	3.34	6.7	220
AuG86-118-5	4.84	10.0	470
AuG86-156-5	6.34	13.5	630

Output Shaft is steel, can be custom machined to your specifications

**EXCITRON**  
 info@excitron.com    www.excitron.com