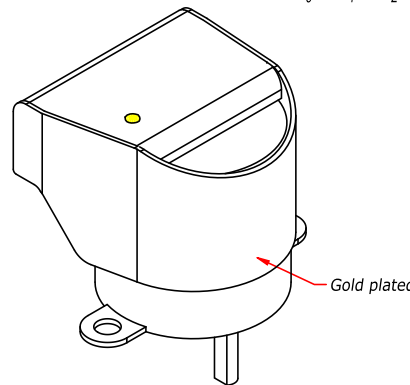
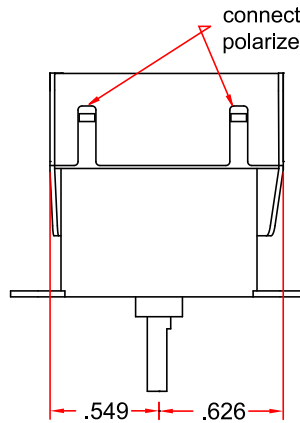
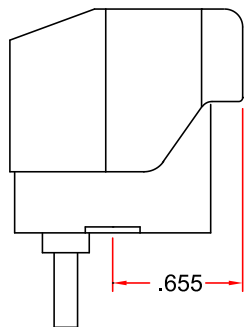
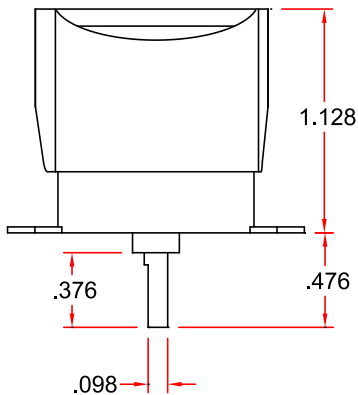
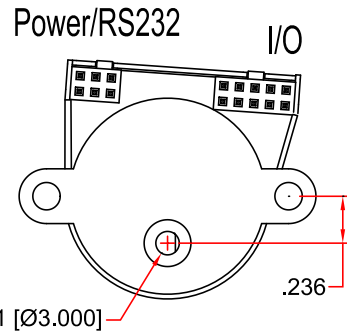
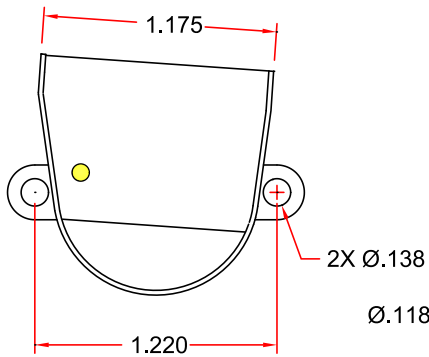
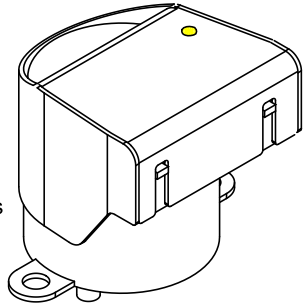


New! GOLD Controllercoders

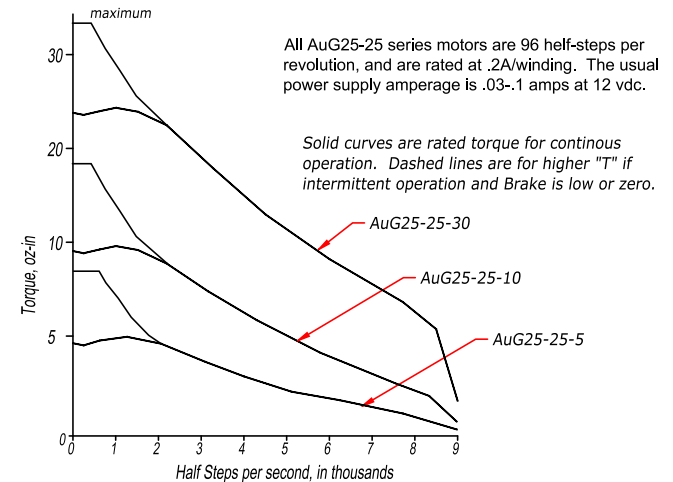
"Con-trol-ler-co-ders"--stepper motor controllers with optical encoders built-in. Each Controllercoder is fully integrated with the stepper motor, producing the most compact and powerful intelligent motor drive available. Complete family can drive stepper motors from 15mm diameter to NEMA 42, and perfectly matches drive amperage with the motor size. The absolute optical encoder and Index give position feedback for optimal motion control. These units offer the first total 100% motor drive solution, allowing easy plug-n-play for machines, CNC, robots, actuators, vehicles, and all equipment.

Excitron SGM25-25-xx stepper gearmotor with steel and brass gears



Features common to all Au Gold Controllercoders

- **Special optical encoder** built-in--no external messy wires, no physical hard-to-align module! Closed-loop feedback ensures motor motion.
- Gold plated connectors, printed circuit boards, and covers for ultimate reliability, heat flow, and performance.
- Easily change direction, number of steps, speed, acceleration, and torque.
- On-board RS232 serial communication port.
- 6 input pins (2 analog), and 1 output pin for external standalone motion control, $\pm 30\text{KV}$ protection, 3.3 volt logic, +5v tolerant. Easily change speed on-the-fly.
- Dual microcomputers with enough memory and speed for full automatic and robotic motion control. Multi-axis capability eliminates PLCs and PCs.
- CNC Driver mode using step and direction pins.
- Contains all the electronics required for complete motor control--nothing else needed except power supply, regulated 4 to 30 vdc.
- Temperature and voltage monitoring, thermal shut-down control.
- Extremely high efficiency, only uses 8mW, controller runs cool.
- Same connectors for all motor sizes gives total compatibility, except Power/RS232 is 6 pins. Cables exit tightly against motor for superb cable management.
- Full backwards compatibility with previous Excitron Controllers.
- Optional 2.4ghz RF 6LoPAN and unique internet address for worldwide remote control, diagnostics, updates, and status.



| Motor/Controller | Wt. | Torque |
|------------------|--------|----------|
| AuG25-25-5* | 2.1 oz | 5 in-oz |
| AuG25-25-10* | 2.1 oz | 10 in-oz |
| AuG25-25-30 | 2.1 | 25 |

* not stocked, 100 minimum order quantity

Ref: Au_Controllercoder_Manual.pdf, Au_Controllercoder_Pins.pdf