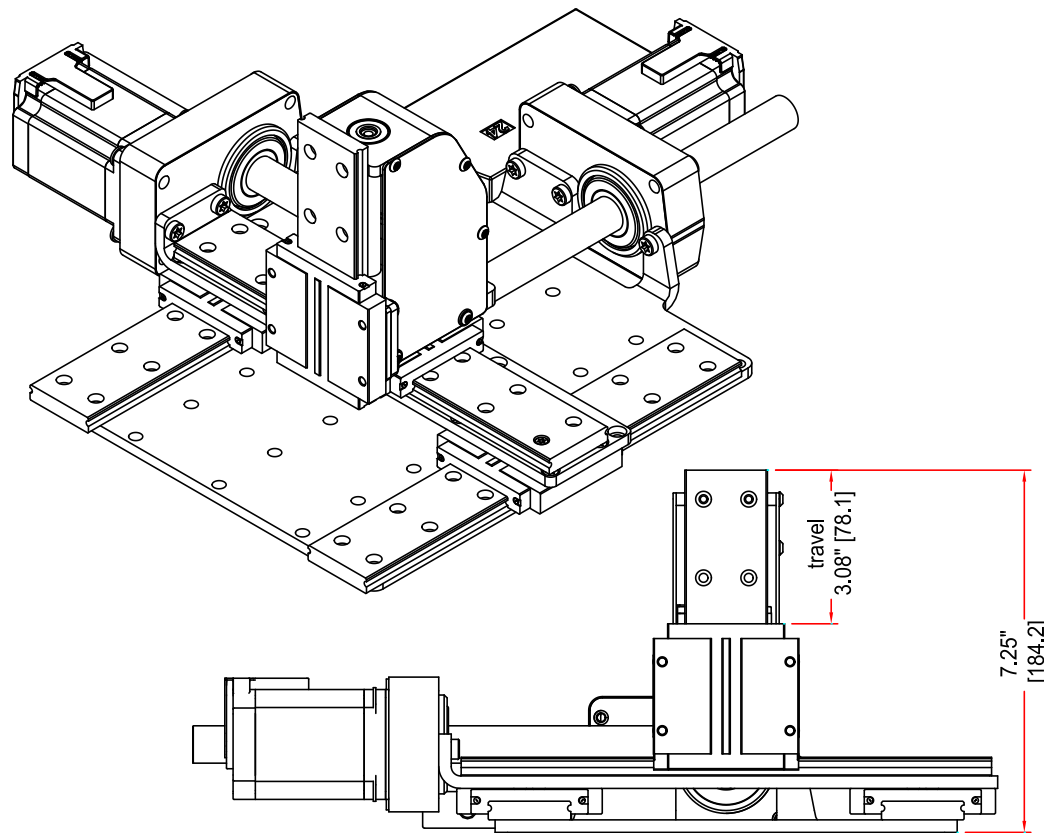


Ultra Precision XYZ CNC Table, runs standalone!

Use to position devices to less than a micron accuracy, or use to CNC lathe cut /mill to < 32 millionths. Thrust load of over 200 pounds can carry heavy loads.

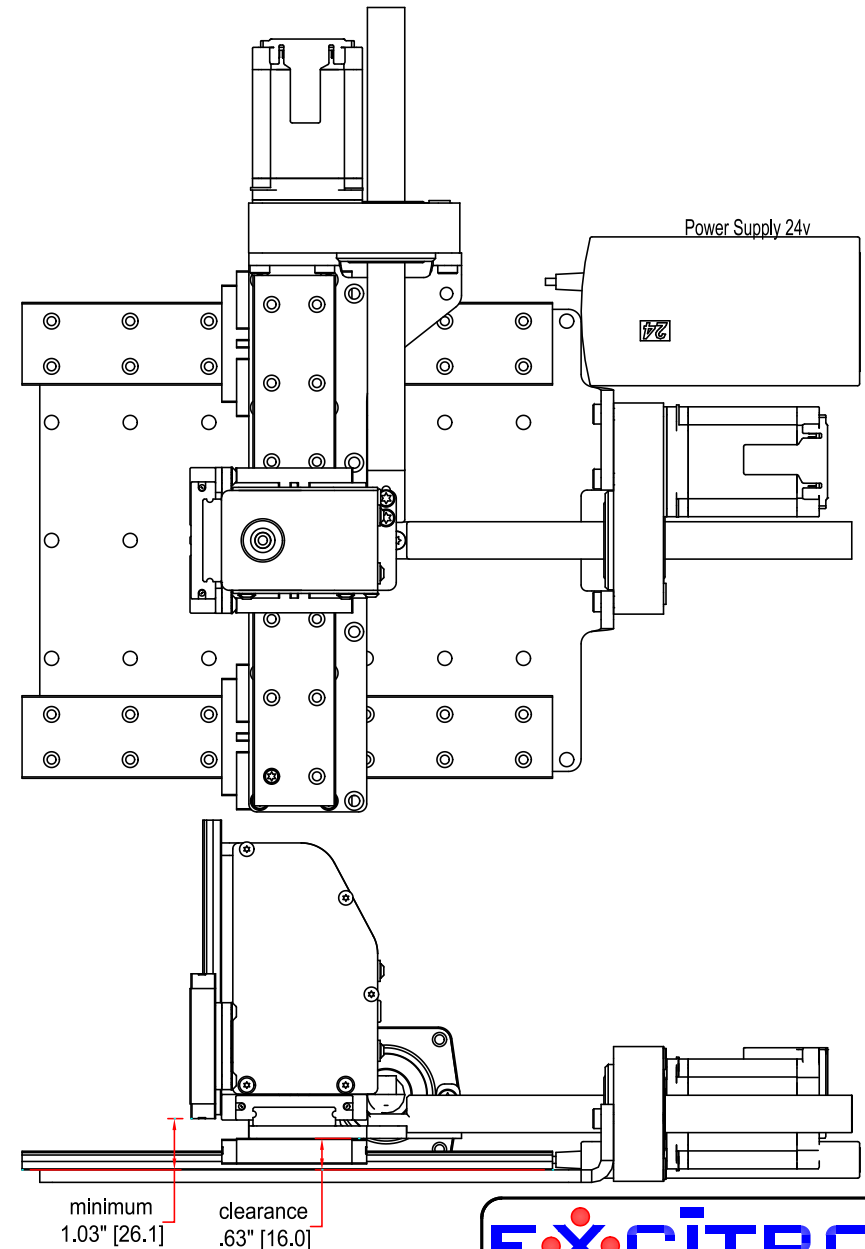
Unit overcomes problems of typical poor machining tolerances, now you can easily machine or position better than virtually any Robot . X & Y travel is 200mm. Weight is 35 pounds.

See XY and Z axis datasheets for more details.
Each axis can be calibrated for higher precision.
Top speed = .5"/sec.
Optional DRO.



Complete kit--nothing to buy, includes:

- Gcode/Robot System runs 5,000 lines of gcode--no PC, PLC, or external controller needed!
- Power supplies and AC cords, power strip
- RS232 cables
- Switch box (not shown) for manual positioning.



XYZ200-200-78-57 shown, with 2 Au57-76M and Au42-47M
XYZ200-200-78-60 same, with two Au60-45 for 2x XY speed and half the resolution

scale: 25%

EXCITRON
info@excitron.com www.excitron.com

Ultra-Precision CNC XYZ Robot