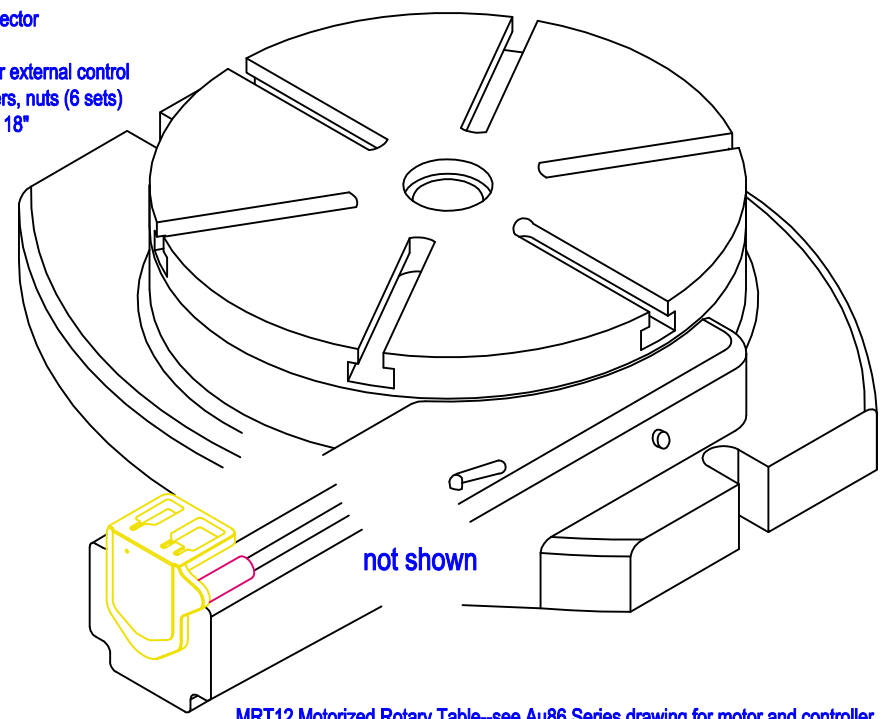


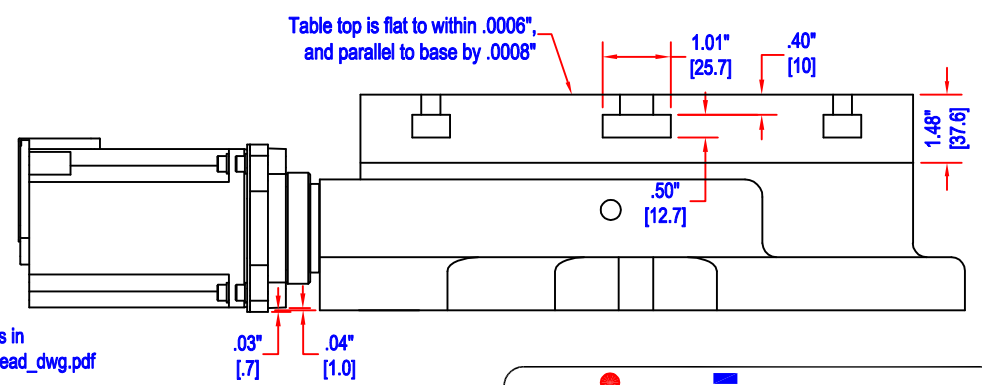
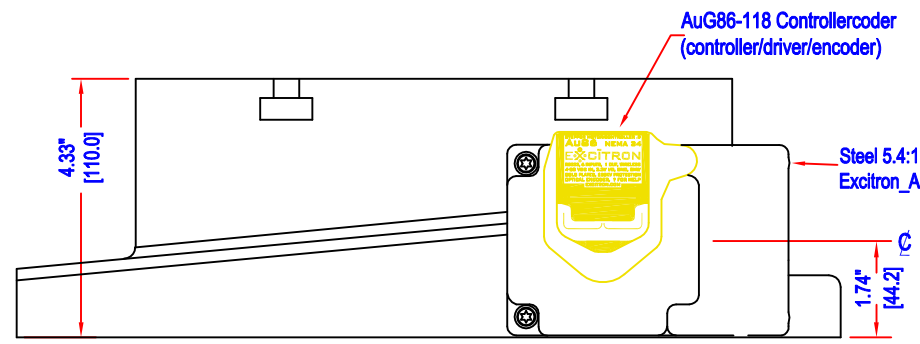
- Items included:
- PS24-90W power supply with connector
 - RS232 6' cable and connector
 - Au I/O 9 wire cable open ended, for external control
 - Table slot mounting screws, washers, nuts (6 sets)
 - Neorene splash guard, .06" x 12" x 18"
 - Table base mounting hardware
 - 2 Base locking levers, not shown



- Ø1.050" bottom opening [0.26.7]
- Moly-lubricant zerk for filling reservoir
- Lever to engage/disengage worm gear, allows free-wheeling of table.

MRT12 Motorized Rotary Table—see Au86 Series drawing for motor and controller details. Unit shown has 5:1 gear drive and precision ground 90:1 worm gears, 450:1 total ratio, and virtually zero backlash.

Theoretical Torque is 12,000 in-lb, practical torque is 4,00 in-lb, more than enough to mill using a Ø1.00 cutter through steel. Top speed of 10,000 motor half-steps/sec gives 3.3 rpm. Straight drive of 90:1 (16 rpm) also available, see www.excitron.com website. Weight is 156 pounds, ships in 2-3 boxes.



Warning—keep fingers from rotating parts, injury may result. Suggest using the neoprene cover sheet when table is used for machining.

EXCITRON
 info@excitron.com 303-859-9476
 MRT12-86-118-486
 www.excitron.com ~25% 1/1 Rev. A