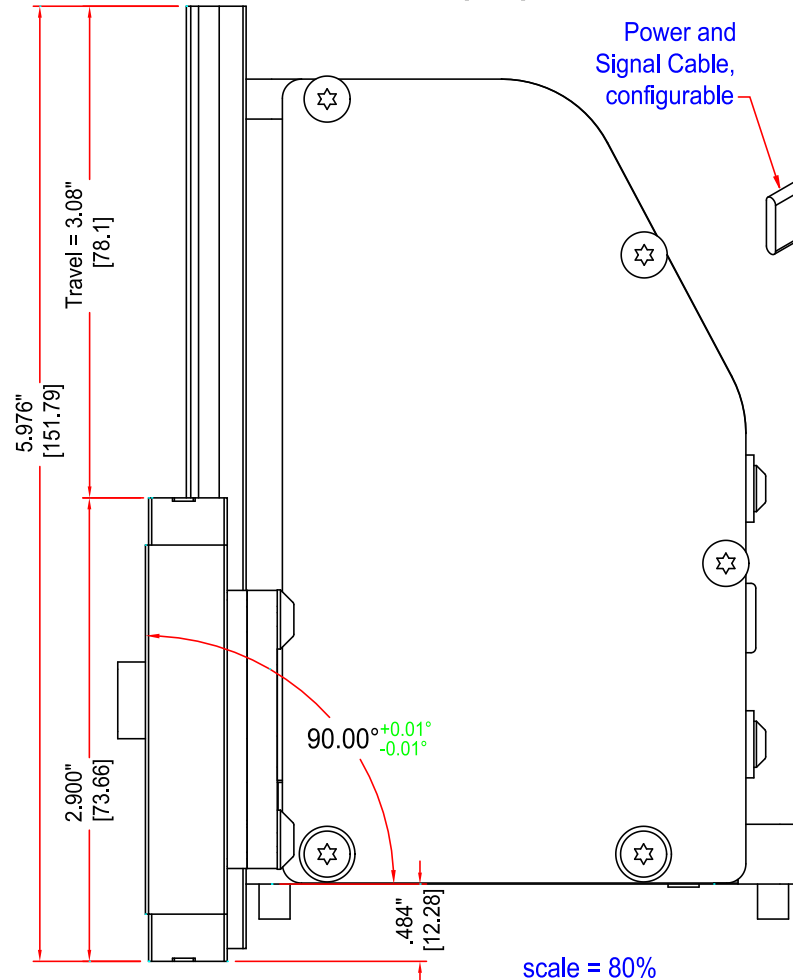
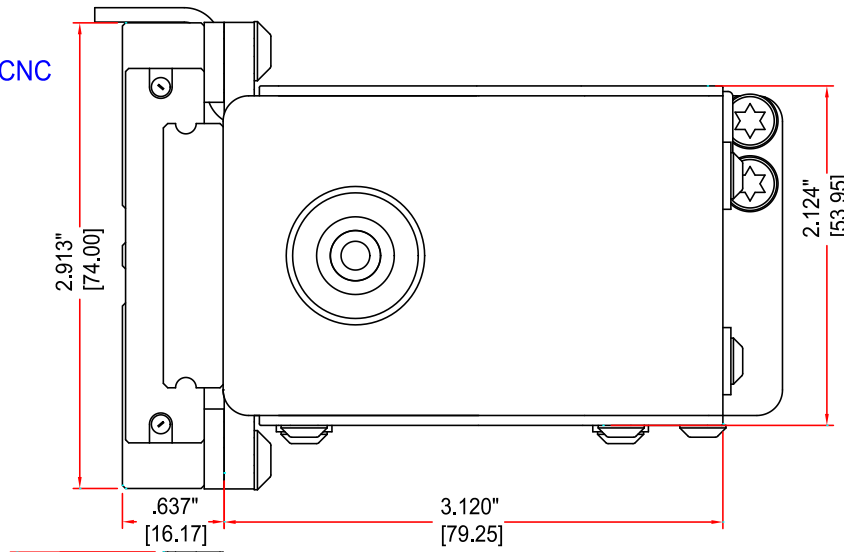
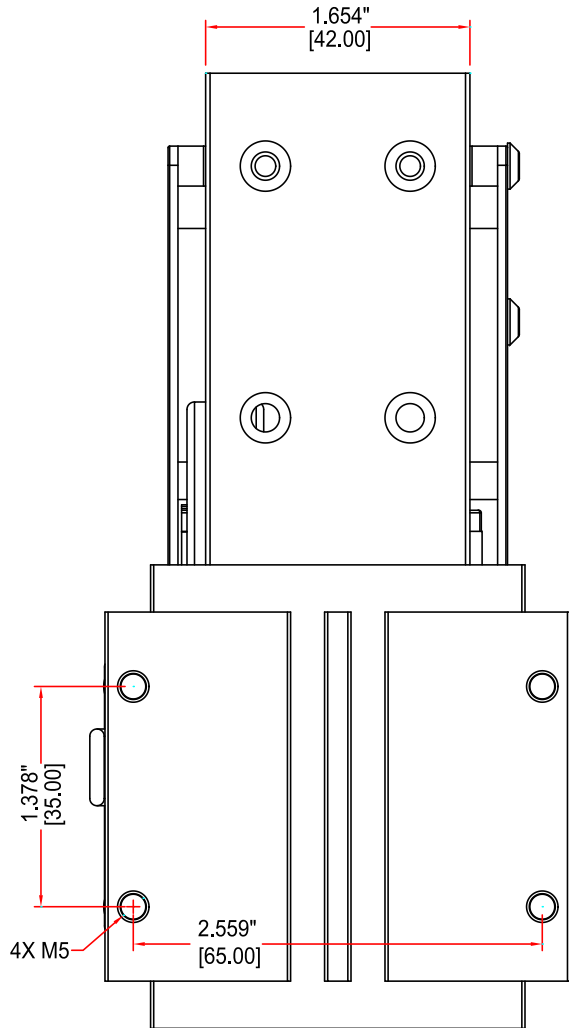


Z Axis Leadscrew Slider ZLS74-78

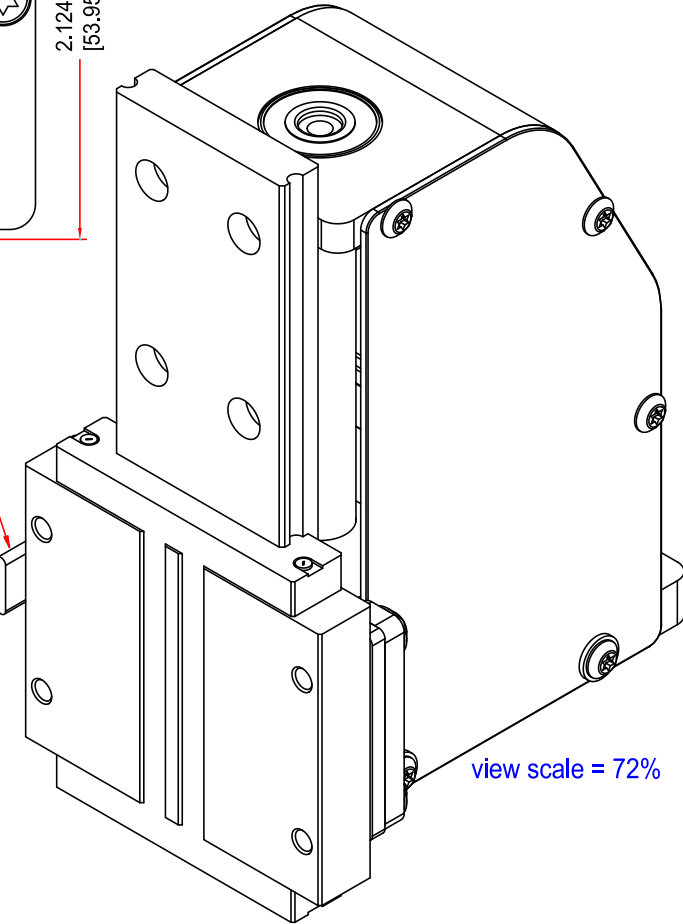
Ultra-precision Z-axis actuator for electronic assembly, CNC milling, measurements, dispensing, and many other applications. Automatic and remote control motion. Resolution is 54 millionths/step [1.4 μm]. Slider Carriage is precision ground with hand-selected recirculating balls for pre-load, giving you *ZERO* play. Extra wide hardened steel rail ensures no twisting. Travel is 3.07" [78 mm].

Intelligent automatic indexing using Au42-47M. Built-in CNC/gcode System stores and runs over 5,000 lines, no external controller needed. RS232 interface standard.



scale = 80%

Power and Signal Cable, configurable



Motor = 800 half-steps/rev
Gear ratio = 60/26 = 2.308:1
Leadscrew pitch = .100", thus resolution = .100/800/2.308 = 54 millionths/step = 1.4 μm.
Top speed = 15,000 sps x 54 millionths = .81"/sec.
Axis can be calibrated for higher precision.
Weight is 4.0 lbs. Optional DRO.
See Au_Controllercoder_Manual.

EXCITRON
info@excitron.com www.excitron.com
Ultra-Precision CNC Z Actuator