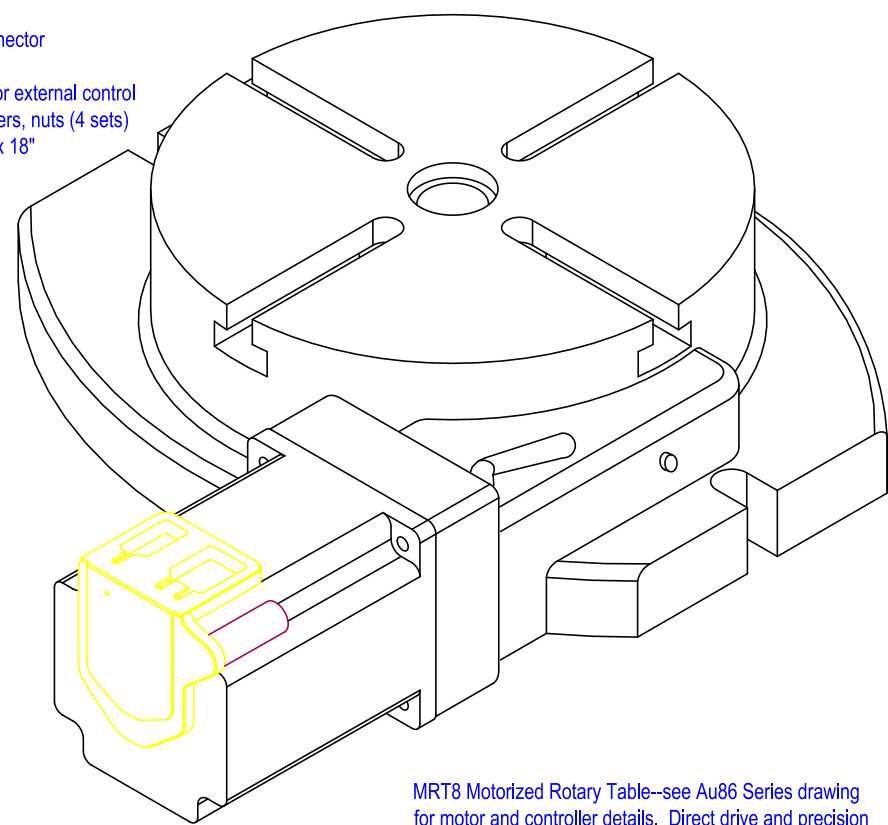
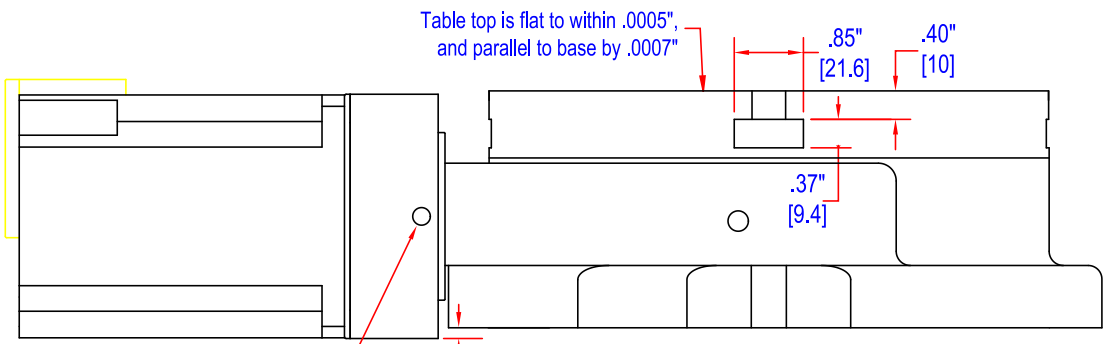


- Items included:
- PS20-90W power supply with connector
 - RS232 6' cable and connector
 - Au I/O 9 wire cable open ended, for external control
 - Table slot mounting screws, washers, nuts (4 sets)
 - Neorene splash guard, .06" x 12" x 18"
 - Table base mounting hardware
 - 2 Base locking levers, not shown



MRT8 Motorized Rotary Table--see Au86 Series drawing for motor and controller details. Direct drive and precision ground 90:1 worm gears, and virtually zero backlash.

Theoretical Torque is 2,600 in-lb, practical torque is 1,600 in-lb, more than enough to mill using a Ø.75 cutter through steel. Top speed of 8,000 motor half-steps/sec gives 15 rpm. Gear drive of 450:1 (2.7 rpm) also available, see www.excitron.com website. Weight is 59 pounds, ships in 2 boxes.



Motor Assembly rotates 360° by loosening the two M6 set screws.

Warning--keep fingers from rotating parts, injury may result. Suggest using the neoprene cover sheet when table is used for machining.

EXCITRON
 info@excitron.com 303-859-9476
 MRT8-86-118-90
 www.excitron.com ~37% 1/1 Rev. A